



Security Tech Germany

SYSTEM VELA™

FEEL SECURE AT HOME

REVERSIBLE KEY SYSTEM



Made in Germany

FEEL SECURE AT HOME

VELA™



PROTECTING YOUR PRIVACY

The innovative Inspect unit inside the cylinder verifies the key's locking authorisation to prevent the door from being accessed with illegal copies. The Inspect system and the multiple paracentric reversible profile also prevent manipulation of the lock cylinder. The security card provides additional protection as it must be presented before additional cylinders and keys can be ordered. So you can feel secure in your own home.

ONE KEY FOR YOUR ENTIRE HOME

Use just one key to open your building door, front door, letterbox, cellar and outbuildings. Lock your front door easily at night with a knob cylinder by simply turning the knob. Choose a cylinder colour that matches your existing door fittings and building concept. You can even set up individual locking authorisations for each user.

FEEL SECURE AT HOME

VELA™

MORE CONVENIENT

The innovative shape of the key makes it almost unnoticeable in a pocket. The modern, attractively shaped reversible key conveniently locks all doors. It is made of high-quality material for long-term security.

FUTURE- PROOF INVESTMENT

The Vela system can be expanded at any time. We can deliver expansion products for your locking system years after installation. So you can flexibly react to changes.

High-quality raw materials, high-precision manufacturing and our many years of experience mean that you can rest assured in the knowledge that your building is secure. And the fact that the lock cylinders are developed and produced in Germany guarantees premium quality and a long service life.



SYSTEM VELA™

In Detail

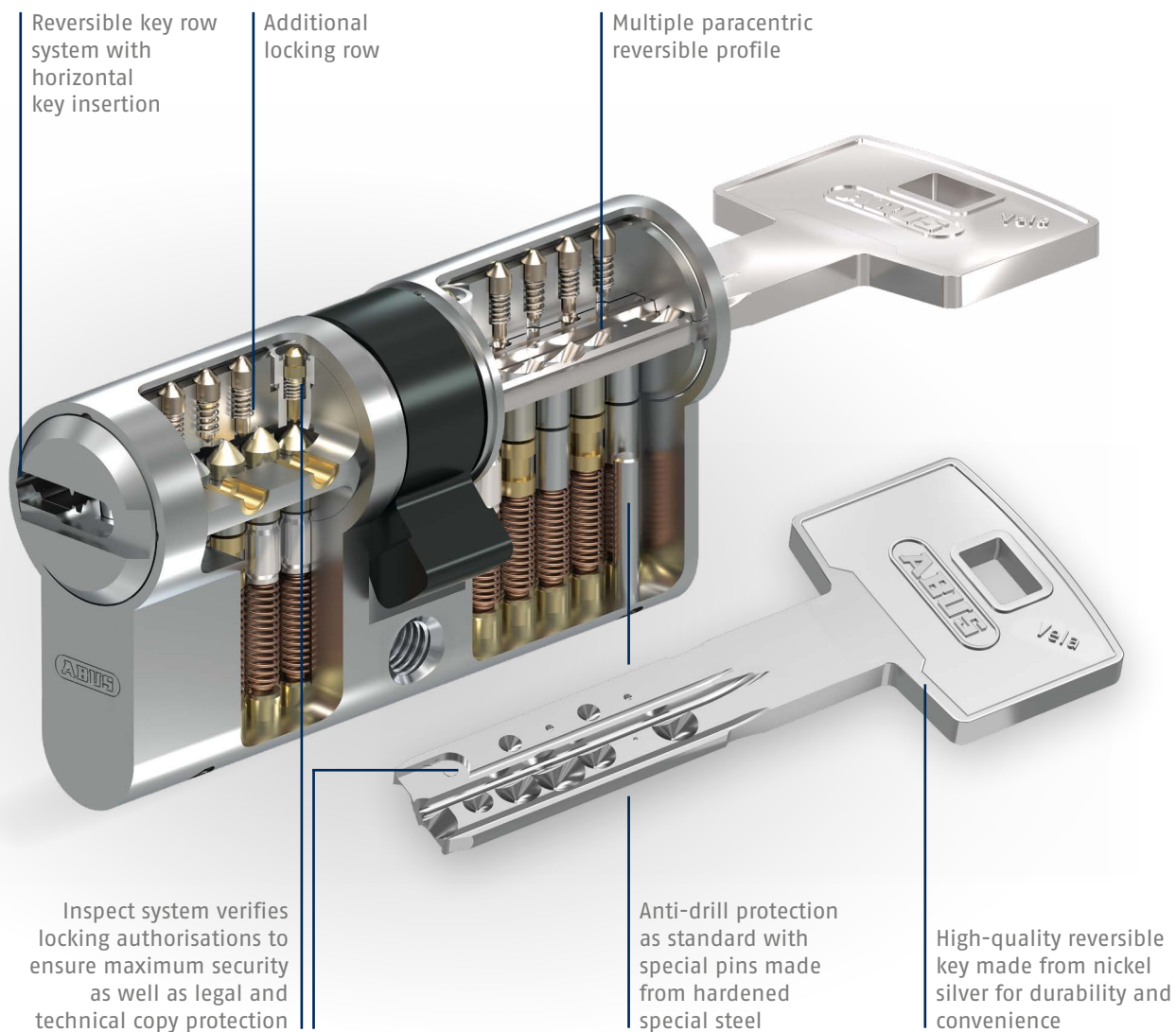
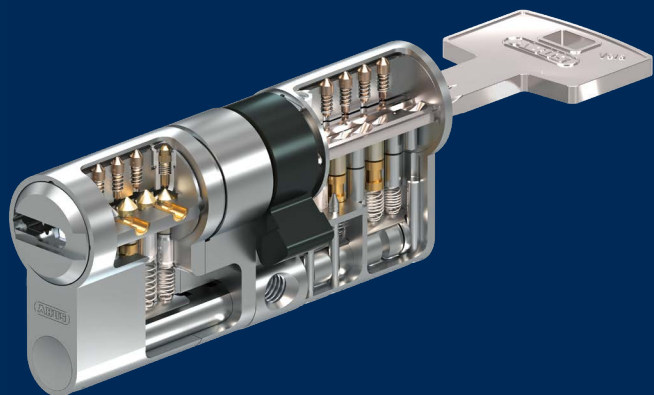


Figure shows an example of the system

SECURITY, HARD AS STEEL

VELA™ MX



**Anti-drill
protection**



**Anti-shatter
protection**



**Extraction
protection**

SECURITY, HARD AS STEEL

The stainless steel elements inside the Vela MX cylinder provide iron clad security as standard. The stainless steel bar is the key component of the system and provides increased protection against breakage and extraction. The high-strength stainless steel anti-drill inlay and the hardened steel elements inside the cylinder offer increased protection against drilling.

MAXIMUM FLEXIBILITY

Moving?
Installing a new door?
Making changes to your organisational structure?
No problem! Modular cylinders allow you to adapt their lengths to suit your new door. So you can flexibly react to changes.

MIX AND MATCH

For maximum security and flexibility, choose Vela cylinders with modular MX technology. This allows modular cylinders to be combined with compact cylinders in one master key system, so the Vela range can meet any requirement you have for your building.

SYSTEM VELA™

Highlights



Reversible key

The state-of-the-art key uses dimples instead of sharp-edged cuts for maximum comfort.



Drill protection

Due to special anti-drill pins made of hardened steel a manipulation of the cylinder becomes difficult.



Bumping protection

Cylinders with special design elements to protect against opening attempts by impacts or shocks.



One-key concept

Additional cylinders and cylinder types can be supplied for the same key.



Security card

Replacement keys and additional cylinders will only be made upon presentation of the security card.



Optional modular version

The cylinder has a flexible design and can be built to the desired length in a few simple steps.

TECHNICAL DETAILS

Overview

System:	Vela™
Key:	Multiple paracentric reversible key made from hard-wearing nickel silver
Key insertion:	Horizontal
Patent protection:	✓
Trademark protection:	✓
Copy protection:	Inspect System
Locking rows:	Up to 2
Total locking elements:	Up to 10
Modular design:	Optional
Basic length:	30/30 mm and 28/32 mm for Euro profile double cylinders
Length increments:	Extensions available in 5 mm increments
Security card:	✓
Key related security:	Class 6 in accordance with DIN EN 1303, details available on request
Attack resistance:	Class B, Class D if special features anti-drill/extraction protection "BZD"
Fire resistance:	Class B, T90
Product certification:	Certified to DIN 18252 and DIN EN 1303 standards; Optional, e.g. SKG*** and VdS, details available on request
Manufacturer certification:	ISO 9001
Production:	Made in Germany

ABUS | Pfaffenhain GmbH
abus.com

Fabrikstraße 1
09387 Jahnsdorf
Germany
+49 37296 713-0
vertrieb@abus-pfaffenhain.de

Your specialist dealer:

