

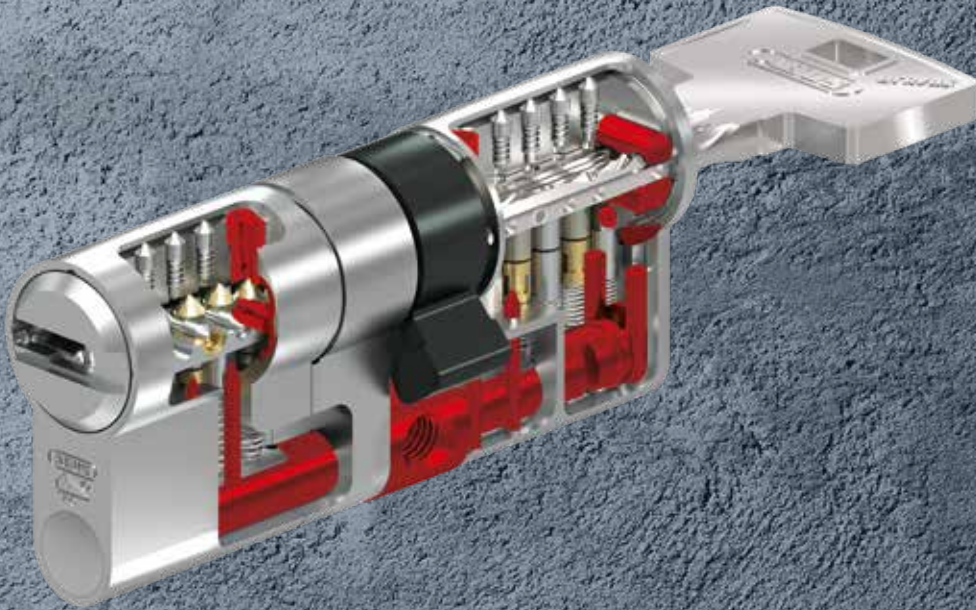


Security Tech Germany

LOCKING SYSTEMS

DEALER

PRICE LIST 2023



Made in Germany

GENERAL COMMENTS

Price list and standards for your orders

ABOUT THIS PRICE LIST

This price list is valid from 01.01.2022 and replaces all prior lists. All prices are list prices shown in **GBP without V.A.T.**

Freight charges, packaging and carriage are not included and will be invoiced separately. Goods are invoiced at prices ruling on the date of order and orders are accepted only on that basis. Please refer to our standard Terms & Conditions of supply. Please note that for bespoke orders, where products are 'made to order' such as master key systems, there will be no cancellation permitted, once the order has been received and acknowledged.

The indicated price refers to the basic length of the cylinder. If not stated differently, the material of the cylinder is brass, nickel-plated.

Keys are made of nickel silver* (excl: E50).

Standard drill protection (1st and 3rd pair of pins made of special hardened steel) is included* (excl: E50).

All cylinders shown are 6 pin cylinders.

For further information please contact our sales or customer service team.

All European profile cylinders are manufactured in steps of 5 mm.

Due to our multi-faceted product range and frequent technical innovation it is not possible to include all of our products and special options into this price list.

STANDARDS FOR YOUR ORDERS

Please note that we assume you require the following standard equipment when processing your orders. If you wish to make any changes, please let us know:

Number of keys for coded single-differ locks:	2pcs for Bravus, Vela, Vitess & Zolit, 3pcs for E50PS
Number of keys for master key system cylinders:	As per order
Coupling:	Standard coupling
Snap protection:	All systems are Factory Order and surcharges apply
Certificate:	(BS EN 1303) – Yes
Cylinder finish:	Nickel (standard)
Special Finishes:	None
Key coining:	Unless stated at point of order, keys will be supplied with standard ABUS branding
Profile:	Supplied in accordance with your signed Dealer Agreement

Packaging

All differ cylinders are supplied boxed with a security card. All master key cylinders are supplied boxed, without security card. New Master Key Systems are supplied boxed with security card and full documentation pack.

Marking

All differ cylinders, with 2 keys and a security card are supplied marked with the differ number on the cylinder. Master key cylinders are supplied marked with the master key system number and the cylinder position number. Keys supplied under a master key system are supplied marked with the master key system number and key position number.

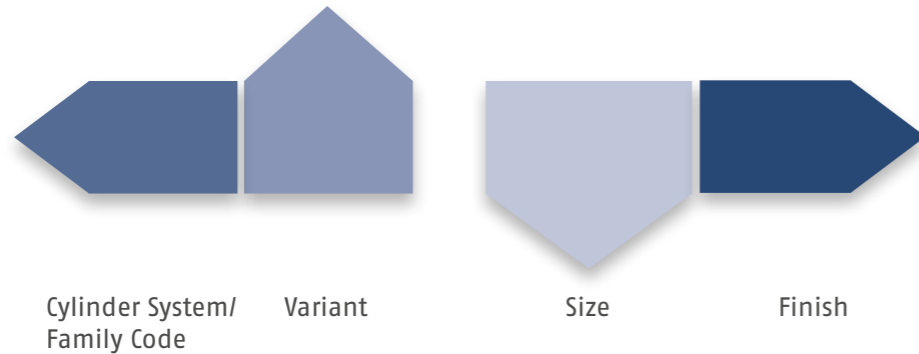
*If not otherwise indicated we deliver your customised stamping for reserved profile.



GENERAL COMMENTS

Order examples

Order code key:



Order code examples:

System Reference:
UK rim cylinder

System: V1L454 - 29.6 NI Finish: Nickel

Length: 29.6 mm

System Reference:
thumbturn euro-profile cylinder

System: VE2L430 - 4040 MS Finish: Brass

Length: 40/40 mm

System Reference:
euro-profile double cylinder

System: B3L410 - 3535 NI Finish: Nickel

Length: 35/35 mm

GENERAL COMMENTS

Ordering notes

ORDERING NOTES

When planning or placing an order for a new key system please bear in mind later **extensions**. You can easily reorder via our Online Ordering System (OBS) and our Partner Portal for purchasing components. Please note components can only be purchased in pack quantities, not in single units.

Please follow these important steps when specifying your cylinders and placing your orders:

- 1 Which system are you purchasing?
- 2 What cylinder type?
- 3 What size and finish?
- 4 What is the cylinder format you require?
- 5 Number of keys required?
- 6 What coining is required on the keys?
- 7 Which special functions might be required?
- 8 Do you already have a Master Key System reference?
- 9 Which position in the Master Key System are you purchasing a replacement or additional cylinder for?

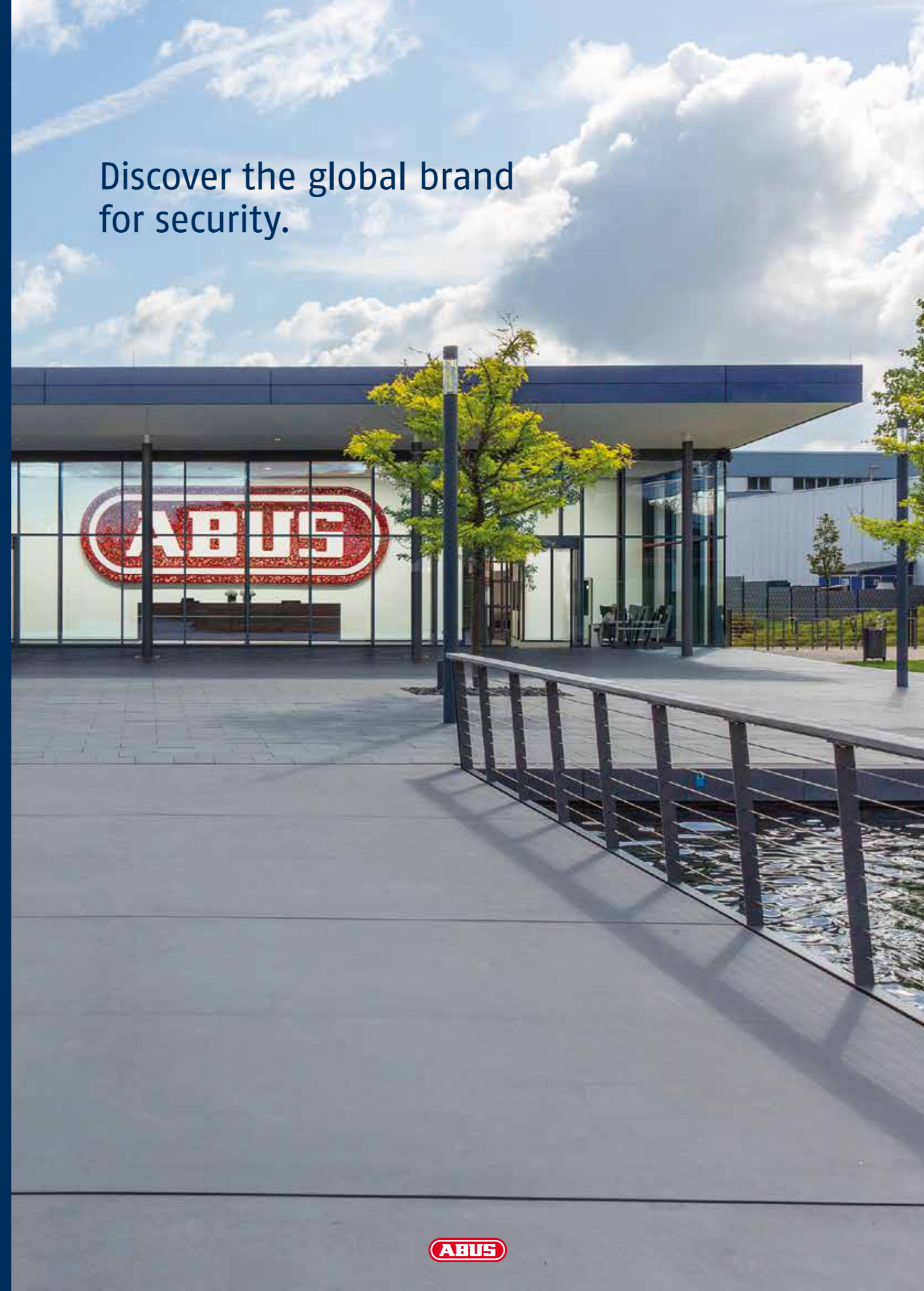
Discover the global brand
for security.

FOR THAT GOOD FEELING OF SECURITY

ABUS are a global manufacturer and supplier of innovative security solutions. We have developed high quality, German-manufactured products since 1924. We offer solutions comprising CCTV, Padlocks, Masterkey Systems and Access Control.

ABUS is a brand known globally for delivering quality. In the UK we are committed to delivering a personal service and working with our end-user customers and partners to develop a solution that fits your requirements.

Whether you are looking to secure your perimeter fencing and entrances, manage access levels, secure your containers and storage facilities or even looking to safeguard mobile property such as bikes, ABUS will be able to provide the perfect solution.



THE PERFECT CYLINDER FOR EACH APPLICATION

Diversity of cylinder types



ONE KEY FOR YOUR PROPERTY

We have the right solution for many mechanical locking requirements. Whether you lock a high security door, control a power switch on an elevator or need a locking system for a container, the ABUS range offers you the right product for every purpose.

For example, you lock the office door with the double cylinder. You can also control alarm systems with the same key thanks to the transponder in the key cap. In addition, you operate the parking barrier and can record your working hours at the same time. You can only reach sensitive areas with the elevator if your key has a locking authorization for the elevator cylinder. The thumbturn cylinder will offer you the maximum comfort at home. With your key, you can also open the cam cylinder in the mailbox and the padlock on the basement door.



Double Cylinders



Key Switches



Cylinders with Thumbturns



Locking inserts



Cam Cylinders



Oval Cylinders



Rim Cylinders



Padlocks

SUITABLE FOR EACH DESIGN CONCEPT

Cylinder finishes

COLOUR-MATCHED

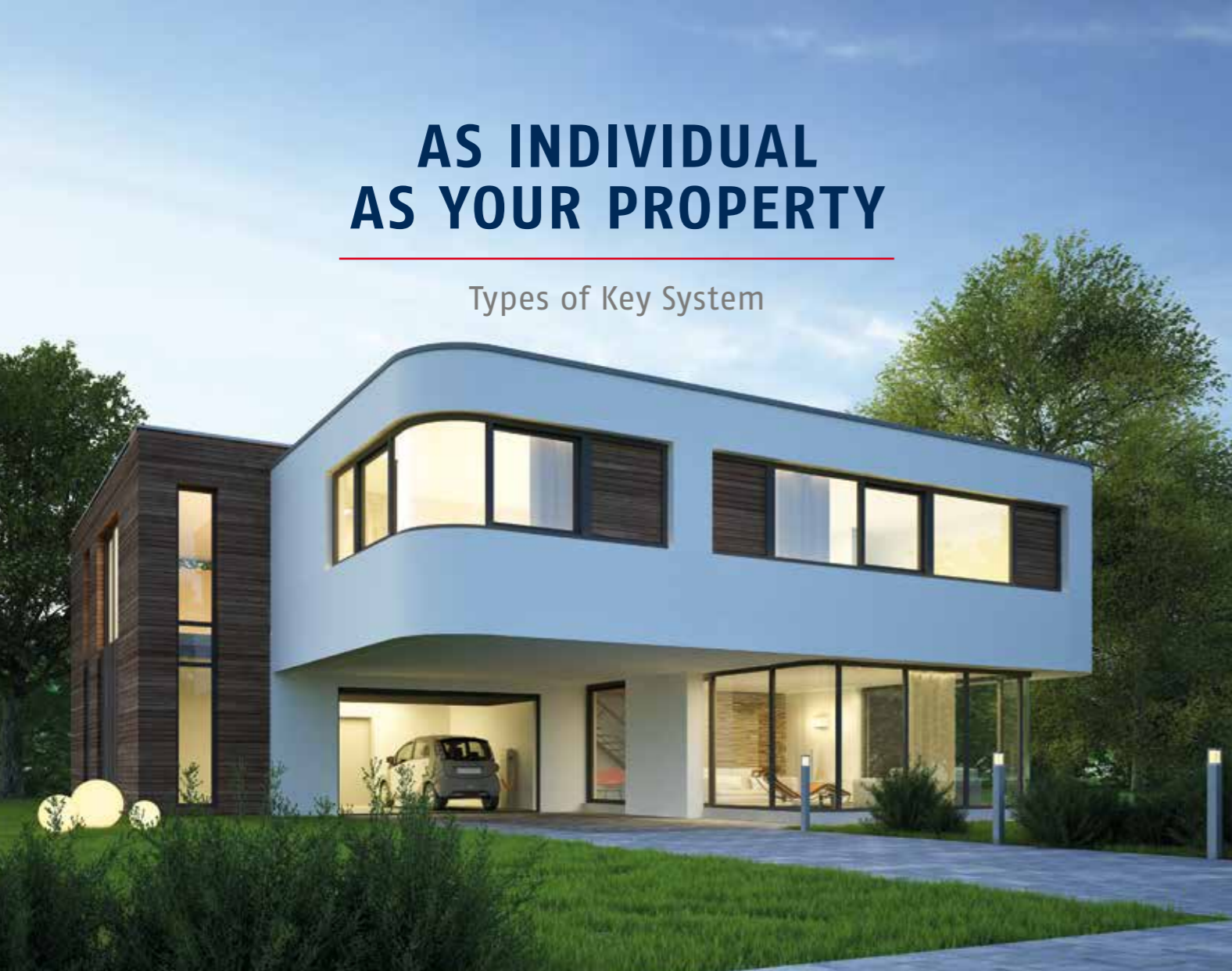
ABUS offers a wide range of cylinder colours and finishes for a variety of applications. If you're working on architect designed projects, for example, where the colour of door hardware and interior design determines that the security or access system should match, please contact us to discuss your requirements.

Please note the full range of finishes is only available on the ABUS Modular Cylinder Range.

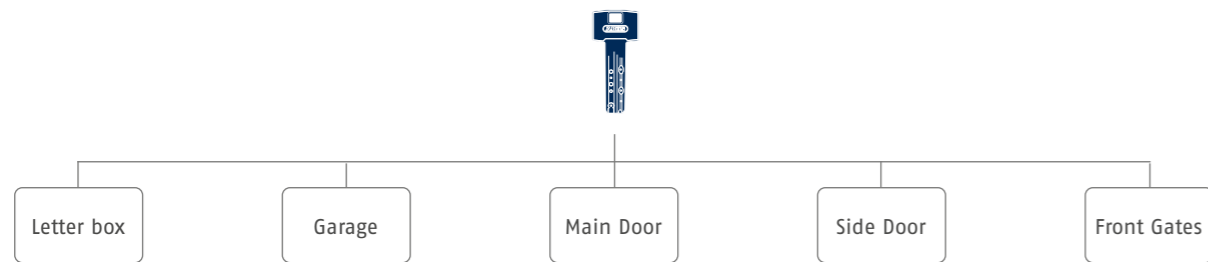


AS INDIVIDUAL AS YOUR PROPERTY

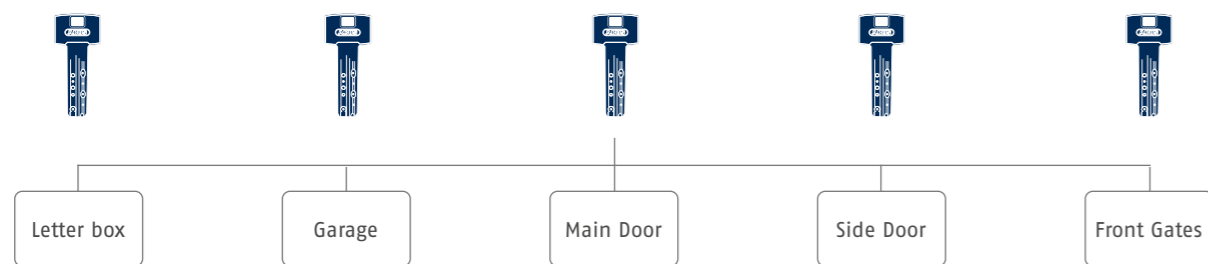
Types of Key System



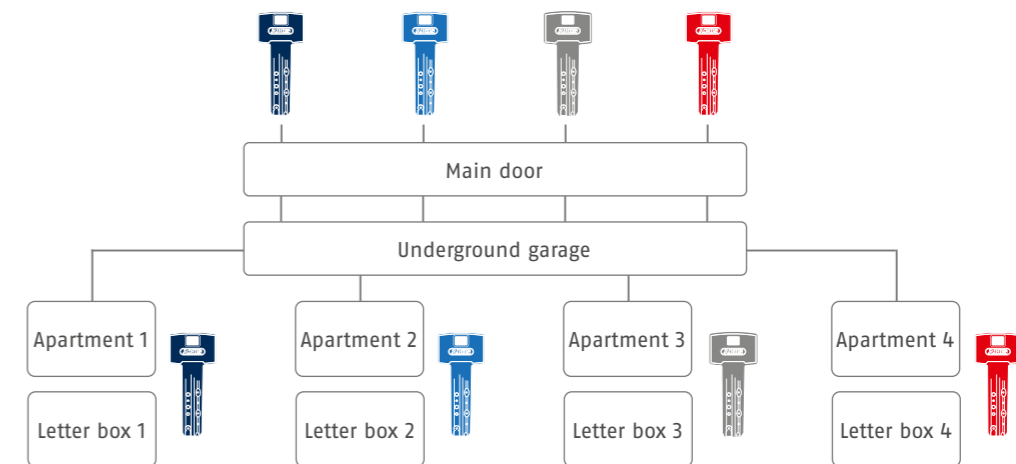
KEYED ALIKE



KEYED TO DIFFER

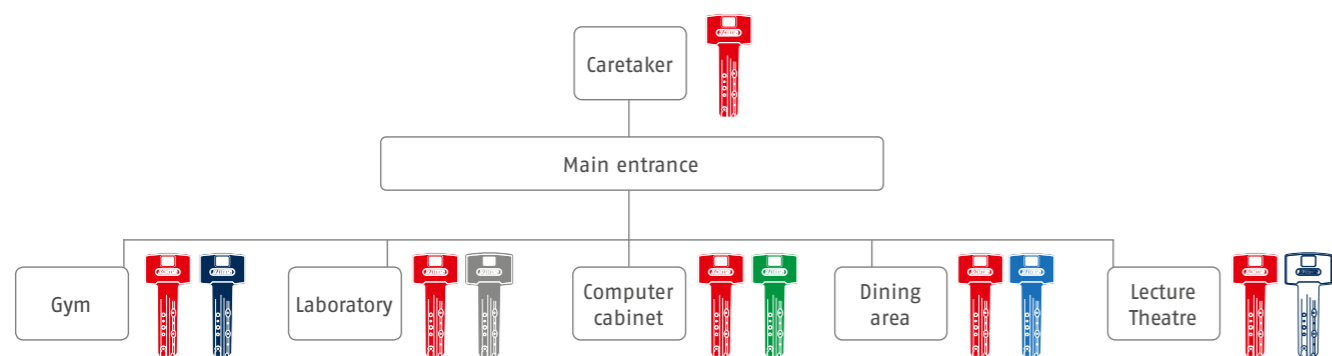


CENTRAL KEYED SYSTEMS FOR APARTMENT BUILDINGS

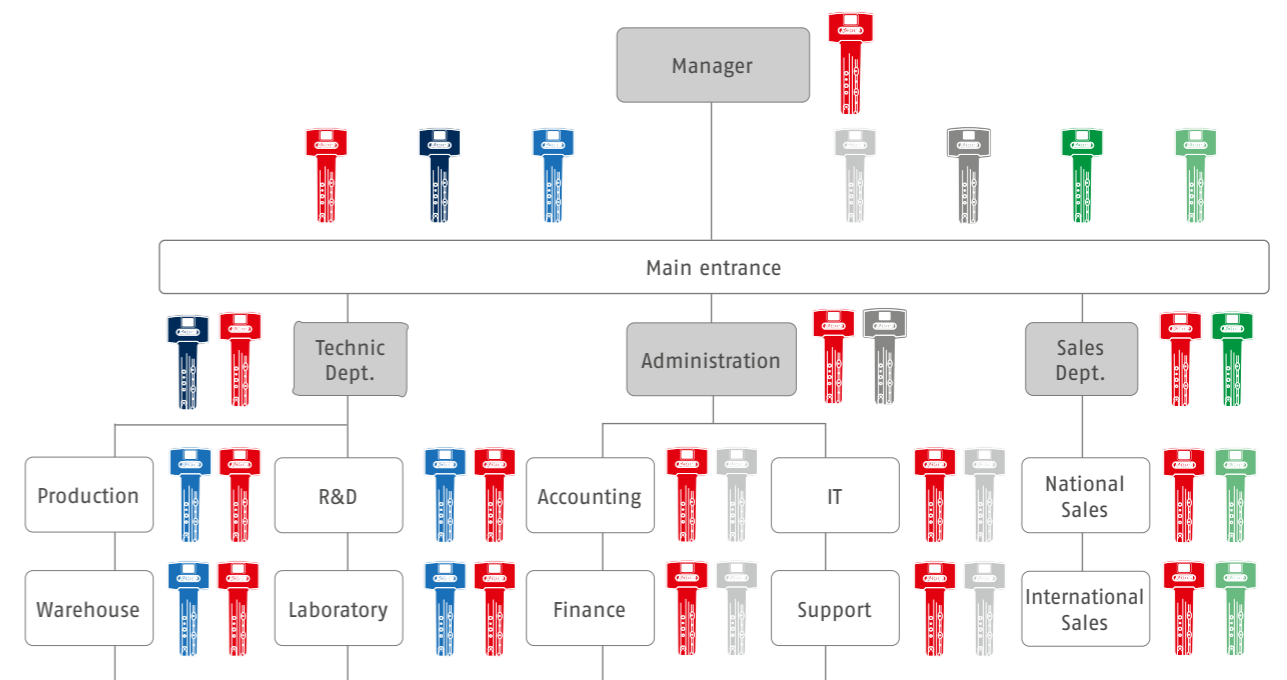




MASTERKEYED SYSTEMS FOR THE EDUCATION SECTOR



GRAND MASTERKEYED SOLUTIONS FOR COMMERCIAL & PUBLIC APPLICATIONS



TRUSTED WORLDWIDE

References

SECURITY SOLUTIONS ALL AROUND THE WORLD

From single-family homes to schools and small businesses to hospitals, universities and prisons, customers trust us with their security needs and involve us in highly sensitive processes.

We offer customised cylinder and master key systems for every building. We have many well known references globally that show a wide range of applications across key sectors such as utilities, education, corporate offices, leisure parks and many more.



Messe Frankfurt,
exhibition centre, Germany



Apartment Building Hamburg,
Germany



Albrechtsberg Castle,
Germany



Burj Al Arab Hotel,
United Arab Emirates



Emirates Palace Hotel,
United Arab Emirates



Royal Greenwich Borough Council,
London, UK



Gas Power Station Herdecke,
Germany



GVZ logistic centre,
Germany



Sparkasse Bank Dillenburg,
Germany



Millenium Stadium,
Cardiff, UK



Chester Zoo,
Chester, UK



Harrogate Army College,
UK



Bielefeld University,
Germany



Barmer GEK Health Insurance,
Germany



Hostel Campus Tower,
Magdeburg, Germany



Sagrada Familia Barcelona,
Spain



School Collège Paul Langevin,
France



Hospital Clermont-Ferrand,
France

DESIGN MASTER KEY SYSTEMS ONLINE

An intuitive new web portal that allows you to design a matrix for a complete master key system for any building



Welcome to a new ABUS online world!
www.obs.abus.com

Design a matrix for a new master key system, view existing systems, submit your new master key system for calculating.

The new portal from ABUS, allows a user to design the matrix that is required to calculate a new master key system. This intuitive tool that allows you to map out a key system for a building, in a matrix format. Once you are happy with your layout, you can submit the design directly to ABUS who can complete the calculation for you.

Register quickly and securely:

- Guaranteed data security through individual access profiles
- Possibility to register several employees



ORDER CYLINDER COMPONENTS ONLINE, CHECK STOCK AVAILABILITY AND TRACK ORDERS

No matter where you are:
 at home, in the office or on the move!



ONLINE STOCK AVAILABILITY, ORDERING, NEWS AND MUCH MORE

You can now buy ABUS products online through our Partner Portal and view your Full Order History.
www.partner-uk.abus.com

The Partner Portal website enables our customers to buy ABUS products online across a wide range of our padlocks, door cylinders, mobile, travel and hardware products!

You can also benefit from a stock availability indicator, view all our latest news, product launches and download images, videos and much more.

- Webshop accessible 24/7
- Place orders online across the main ABUS padlock and cylinder ranges
- Check stock availability in real time
- Track orders
- See full Order History
- Create your own Favourites List
- Import orders from your own system
- Place Quick Orders (using the ABUS EAN numbers)
- View up-to-date news from ABUS UK
- View all new Product Releases
- See Product Promotions and Discount Offers
- View our team members in Customer Service and Sales

PRICES

Locking Systems

Bravus.3000



Zolit.1000



Vela.2000



Vitess.1000

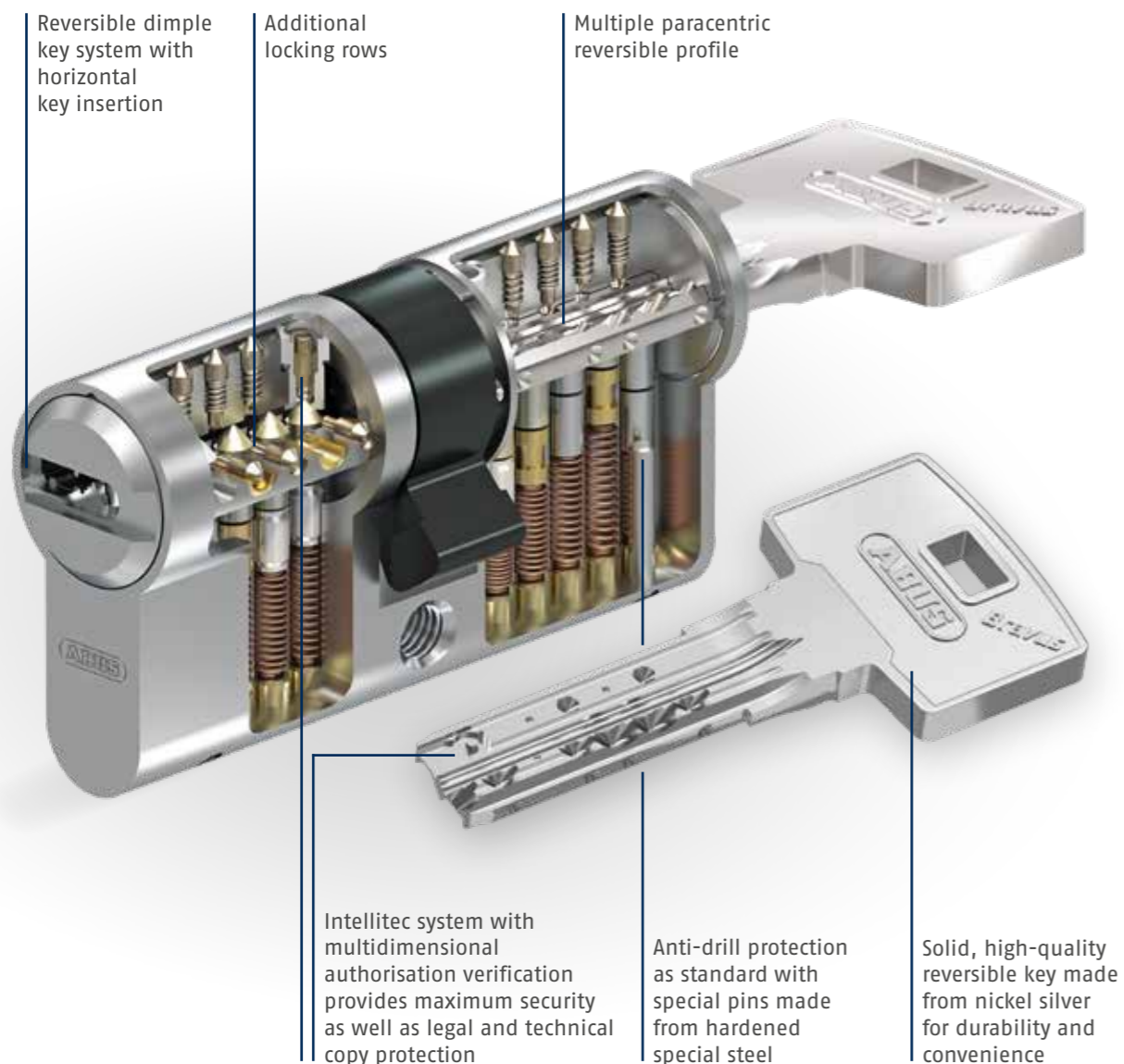


E50PS



BRAVUS.3000

Overview



TECHNICAL DETAILS

In detail

System:	Bravus.3000
Key:	Multiple paracentric reversible key made from hard-wearing nickel silver, incredibly stable
Key insertion:	Horizontal
Patent protection*:	✓
Trademark protection:	✓
Copy protection:	Intellitec system with multidimensional authorisation verification
Locking rows:	3
Total locking elements:	Up to 16
Modular design:	Optional
Minimum length:	30/30 mm for Euro profile double cylinders
Length increments:	Extensions available in 5 mm increments
Security card:	✓
Key related security:	Class 6 in accordance with DIN EN 1303, details available on request
Attack resistance:	Class B Class D if special features anti-drill and extraction protection "BZD"
Fire resistance:	Class B, T90
Product certification:	Certified to DIN 18252 and DIN EN 1303 standards
Manufacturer certification:	ISO 9001
Production:	Made in Germany

CLASSIFICATION NORM EN1303:2015- 08

Lock security: 1 2 3 4 5 **6** Durability: 1 2 3 4 5 **6** Fire resistance: 0 A **B** Corrosion resistance: 0 A B **C** Attack resistance: 0 A B C **D**

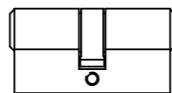


* max. patent term to 2030

PRICE LIST BRAVUS.3000

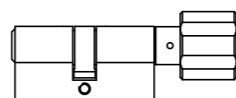
Description	Model	Overall Length	Finishes	2023 List Price (excl VAT)		
				Assembled Price (MK/KA/KD) with 2 Keys	Assembled Price (MK/KA/KD) No Keys	Components (Body & Core Only)

Euro profile Double Cylinders



Euro Profile Double Cylinder	B3L410	60 mm	NI & MS	£90.85	£67.81	£38.94
Euro Profile Double Cylinder	B3L410	65 mm	NI & MS	£94.70	£71.66	£42.79
Euro Profile Double Cylinder	B3L410	70 mm	NI & MS	£98.55	£75.51	£46.64
Euro Profile Double Cylinder	B3L410	75 mm	NI & MS	£102.40	£79.36	£50.49
Euro Profile Double Cylinder	B3L410	80 mm	NI & MS	£106.25	£83.21	£54.34
Euro Profile Double Cylinder	B3L410	85 mm	NI & MS	£110.10	£87.06	£58.19
Euro Profile Double Cylinder	B3L410	90 mm	NI & MS	£113.95	£90.91	£62.04
Euro Profile Double Cylinder	B3L410	95 mm	NI & MS	£117.80	£94.76	£65.89
Euro Profile Double Cylinder	B3L410	100 mm	NI & MS	£121.65	£98.61	£69.74
Euro Profile Double Cylinder	B3L410	105 mm	NI & MS	£125.50	£102.46	£73.59
Euro Profile Double Cylinder	B3L410	110 mm	NI & MS	£129.35	£106.31	£77.44

Euro profile Thumbturn Cylinders

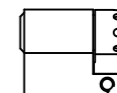


Euro Profile Thumbturn Cylinder	B3L430	60 mm	NI & MS	£95.90	£72.86	£50.07
Euro Profile Thumbturn Cylinder	B3L430	65 mm	NI & MS	£99.75	£76.71	£53.92
Euro Profile Thumbturn Cylinder	B3L430	70 mm	NI & MS	£103.60	£80.56	£57.77
Euro Profile Thumbturn Cylinder	B3L430	75 mm	NI & MS	£107.45	£84.41	£61.62
Euro Profile Thumbturn Cylinder	B3L430	80 mm	NI & MS	£111.30	£88.26	£65.47
Euro Profile Thumbturn Cylinder	B3L430	85 mm	NI & MS	£115.15	£92.11	£69.32
Euro Profile Thumbturn Cylinder	B3L430	90 mm	NI & MS	£119.00	£95.96	£73.17
Euro Profile Thumbturn Cylinder	B3L430	95 mm	NI & MS	£122.85	£99.81	£77.02
Euro Profile Thumbturn Cylinder	B3L430	100 mm	NI & MS	£126.70	£103.66	£80.87
Euro Profile Thumbturn Cylinder	B3L430	105 mm	NI & MS	£130.55	£107.51	£84.72
Euro Profile Thumbturn Cylinder	B3L430	110 mm	NI & MS	£134.40	£111.36	£88.57

PRICE LIST BRAVUS.3000

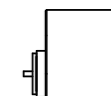
Description	Model	Overall Length	Finishes	2023 List Price (excl VAT)		
				Assembled Price (MK/KA/KD) with 2 Keys	Assembled Price (MK/KA/KD) No Keys	Components (Body & Core Only)

Euro profile Half Cylinders



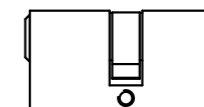
Euro Profile Half Cylinder with 8-fold adjustable cam	B3L452	40 mm	NI & MS	£77.56	£54.52	£31.73
Euro Profile Half Cylinder with 8-fold adjustable cam	B3L452	45 mm	NI & MS	£81.41	£58.37	£35.58
Euro Profile Half Cylinder with 8-fold adjustable cam	B3L452	50 mm	NI & MS	£85.26	£62.22	£39.43
Euro Profile Half Cylinder with 8-fold adjustable cam	B3L452	55 mm	NI & MS	£89.11	£66.07	£43.28
Euro Profile Half Cylinder with 8-fold adjustable cam	B3L452	60 mm	NI & MS	£92.96	£69.92	£47.13
Euro Profile Half Cylinder with 8-fold adjustable cam	B3L452	65 mm	NI & MS	£96.81	£73.77	£50.98

Scandinavian Oval Profile Cylinders



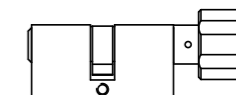
Interior Scandinavian Oval Profile Cylinder	B3L457-1	31 mm	NI & MS	£97.36	£74.32	£51.72
Exterior Scandinavian Oval Profile Cylinder	B3L457-2	31 mm	NI & MS	£97.36	£74.32	£51.72

UK Oval Profile Double Cylinders



UK Oval Profile Double Cylinder	B3L417 3030	60 mm	NI & MS	£108.84	£85.80	£56.93
UK Oval Profile Double Cylinder	B3L417 3535	70 mm	NI & MS	£116.54	£93.50	£64.63
UK Oval Profile Double Cylinder	B3L417 4040	80 mm	NI & MS	£124.24	£101.20	£72.33
UK Oval Profile Double Cylinder	B3L417 4545	90 mm	NI & MS	£131.94	£108.90	£80.03
UK Oval Profile Double Cylinder	B3L417 5050	100 mm	NI & MS	£139.64	£116.60	£87.73

UK Oval Profile Thumbturn Cylinders

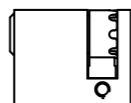


UK Oval Profile Thumbturn Cylinder	B3L437 3030	60 mm	NI & MS	£116.20	£93.16	£70.37
UK Oval Profile Thumbturn Cylinder	B3L437 3535	70 mm	NI & MS	£123.90	£100.86	£78.07
UK Oval Profile Thumbturn Cylinder	B3L437 4040	80 mm	NI & MS	£131.60	£108.56	£85.77
UK Oval Profile Thumbturn Cylinder	B3L437 4545	90 mm	NI & MS	£139.30	£116.26	£93.47
UK Oval Profile Thumbturn Cylinder	B3L437 5050	100 mm	NI & MS	£147.00	£123.96	£101.17

PRICE LIST BRAVUS.3000

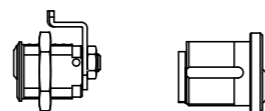
Description	Model	Overall Length	Finishes	2023 List Price (excl VAT)		
				Assembled Price (MK/KA/KD) with 2 Keys	Assembled Price (MK/KA/KD) No Keys	Components (Body & Core Only)

UK Oval Profile Half Cylinders



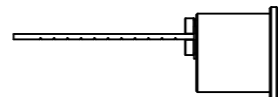
UK Oval Profile Half Cylinder with 8-fold adjustable cam	B3L457 1030	40 mm	NI & MS	£92.59	£69.55	£46.76
UK Oval Profile Half Cylinder with 8-fold adjustable cam	B3L457 1035	45 mm	NI & MS	£96.44	£73.40	£50.61
UK Oval Profile Half Cylinder with 8-fold adjustable cam	B3L457 1040	50 mm	NI & MS	£100.29	£77.25	£54.46
UK Oval Profile Half Cylinder with 8-fold adjustable cam	B3L457 1045	55 mm	NI & MS	£104.14	£81.10	£58.31

Cam & Mortice Profile Cylinders (Refer to accessories section for cams and rosettes)



Cam Cylinder Ø 24 mm without Rosette & Cam	B3L456-H24	26.9 mm	NI	£87.88	£64.84	£42.24
Mortice Cylinder Ø 29,2 mm without Rosette	B3L456-SR1	30 mm	NI	£114.33	£91.29	£57.97

UK Rim Profile Cylinders



Rim Cylinder Ø 29.6 mm, with Rosette	B3L454-29,6	25.3 mm	NI & MS	£95.07	£72.03	£49.43
--------------------------------------	-------------	---------	---------	--------	--------	--------

Description	Model	Cylinder Type	Finishes	2023 List Price (excl VAT)		
				Assembled Price (MK/KA/KD) with 2 Keys	Assembled Price (MK/KA/KD) No Keys	Padlock With Cylinder (Body & Core Only)

83 Padlock Locking Cylinder

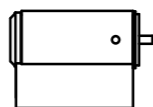
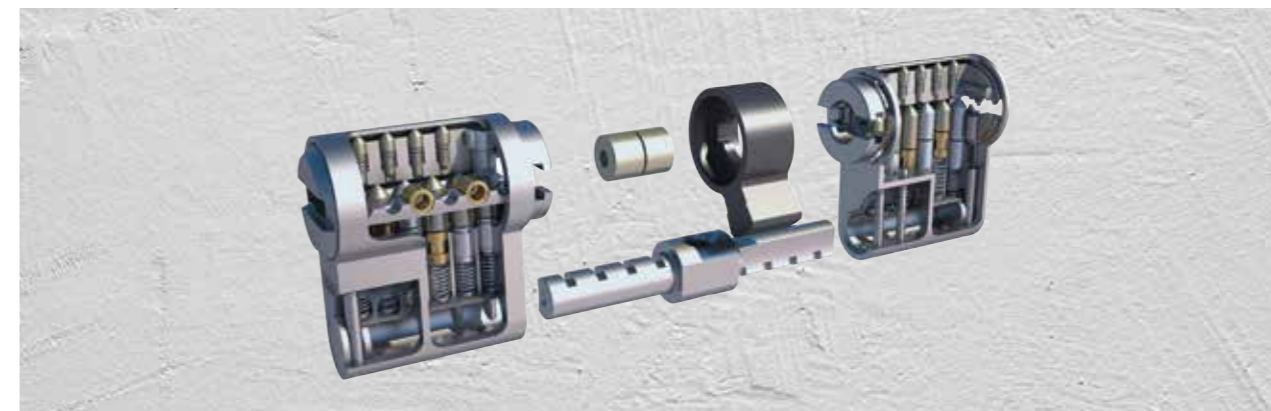
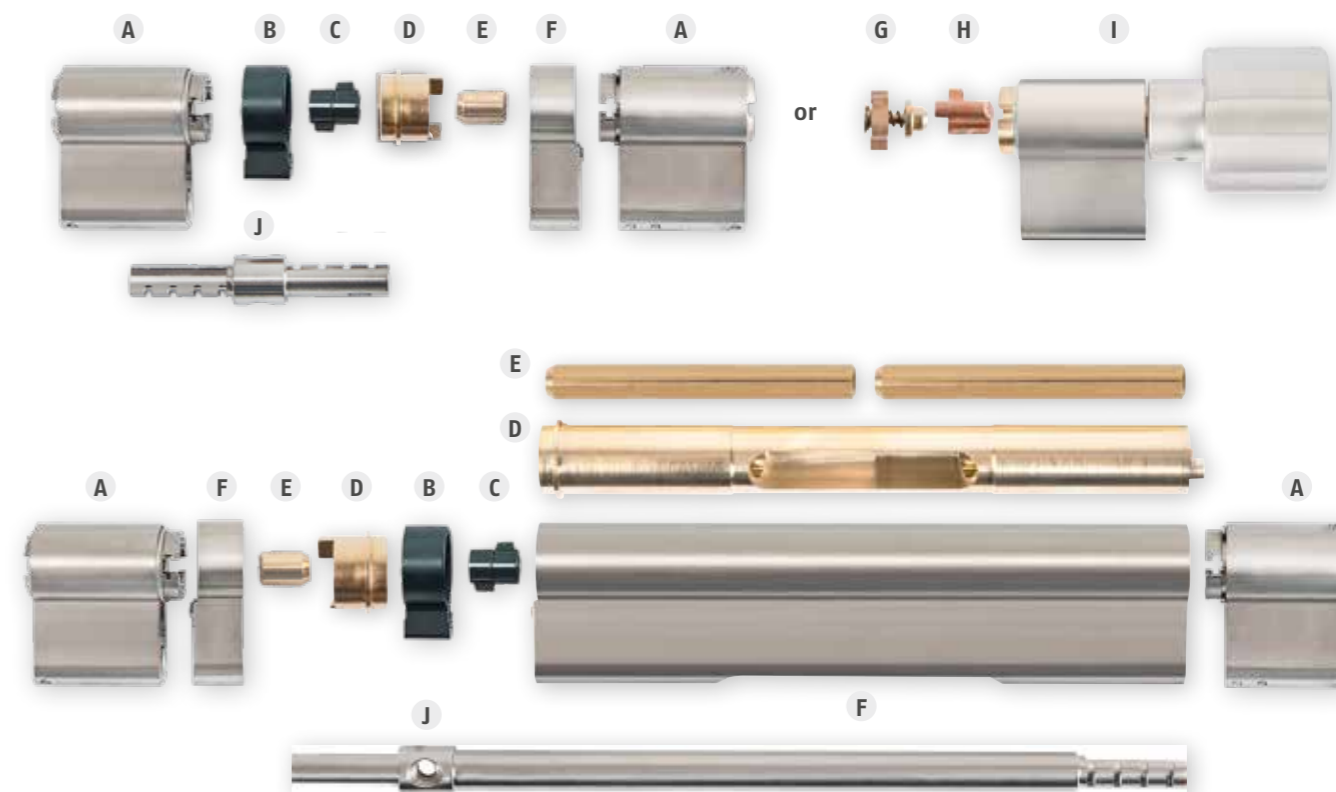


Figure 8 Cylinder for ABUS 83-series padlocks Price does not include the padlock body	B3L492-V83	B3L492-V83	NI	£99.39	£76.35	£53.75
--	------------	------------	----	--------	--------	--------

BRAVUS.3000 MODULAR MX SYSTEM OPTIONS



Double and thumbturn cylinders



Half cylinders



- A** Modular cylinder unit
- B** Cam
- C** Coupling
- D** Core extension
- E** Key extension
- F** Housing extension
- G** Coupling for thumbturn cylinder
- H** Thumbturn shaft follower
- I** Modular cylinder unit with thumbturn
- J** Modular bars
- K** Pressure piece
- L** Housing closure
- M** Mounting screw

BRAVUS.3000 MODULAR MX SYSTEM OPTIONS

Modular MX



Bravus.3000 Modular MX

Cylinder type	Modular Units Pinned, Excluding Extensions or Web Bars	Model	Finishes	2023 List Price (excl VAT)		
				Assembled Price (MK/KA/KD) with 2 Keys	Assembled Price (MK/KA/KD) No Keys	Components (Body & Core Only)
1 Single Eurocylinder unit	1pc x Modular Keyed Unit, No Coupling or Cam, Bravus	B3L460MX	NI & MS	£70.28	£59.67	£42.97
2 Double Eurocylinder	2pcs x Modular Keyed Units, With Coupling & Cam, Bravus	B3L461MX	NI & MS	£109.69	£99.08	£82.38
3 Thumbturn Eurocylinder	1 Set x Modular Thumbturn/Modular Keyed Unit, Coupling & Cam Bravus	B3L462MX	NI & MS	£100.05	£89.44	£72.75
4 Half Eurocylinder	1pc x Modular Unit With Coupling & Cam (Half Eurocyl.), Bravus	B3L464MX	NI & MS	£88.71	£78.10	£61.41
5 Thumbturn for Eurocylinder	Modular Thumbturn Unit Bravus/Vela	BXL463MX	NI & MS			£29.78
6 Conversion to Half Eurocylinder	Modular Half Eurocylinder Conversion Set W/Out Web Bar	50MXHZBG01	NI & MS			£9.58

BRAVUS.3000 MODULAR MX SYSTEM OPTIONS

Special Finishes (Modular MX)



Description	Item no.	List Price (Additional charge)
Cylinder Finish – Nickel	NI	£0.00
Cylinder Finish – Ultra Black Matte	UMSW	£69.96
Cylinder Finish – Antique Brass	MSA	£69.96
Cylinder Finish – Antique Copper	CUA	£69.96
Cylinder Finish – Dark Nickel	NIA	£69.96
Cylinder Finish – Antique Silver	SIA	£69.96
Cylinder Finish – Matt Black	MASW	£116.65
Cylinder Finish – Black Silver	SISW	£69.96
Cylinder Finish – Brass	MS	£0.00
Cylinder Finish – Polished Gold	AUPO	£21.06
Cylinder Finish – Satin Chrome	CR	£21.06
Cylinder Finish – Polished Chrome	CRGL	£69.96

BRAVUS.3000 MODULAR MX SYSTEM OPTIONS

Modular MX Kits

Modular MX Kits (Bravus & Vela)	Item no.	List Price	Example images
Modular kit for Bravus and Vela	MHU39	£1036.84	
Tray MX up to entire length of 70/70 mm for Bravus & Vela	MHUS01	£894.84	
Tray MX up to entire length of 100/100 mm for Bravus & Vela	MHUS02	£638.41	
Systainer Box for Tray MX	WRBMK_SYSTAIN	£125.62	
Empty Tray MX incl. grey boxes	MHUS05	£74.35	
Empty Tray MX	MHUS06	£48.72	

MHU39 Modular Kit Contents List (Bravus & Vela)	Item no.	Quantity
Modular Extension Set Bravus / Vela 5 mm	50MXVBG03_05	8 pcs
Modular Extension Set Bravus / Vela 10 mm	50MXVBG03_10	5 pcs
Modular Extension Set Bravus / Vela 15 mm	50MXVBG03_15	5 pcs
Modular Extension Set Bravus / Vela 20 mm	50MXVBG03_20	5 pcs
Modular Extension Set Bravus / Vela 25 mm	50MXVBG03_25	3 pcs
Modular Extension Set Bravus / Vela 30 mm	50MXVBG03_30	2 pcs
Modular Extension Set Bravus / Vela 35 mm	50MXVBG03_35	1 pc
Modular Extension Set Bravus / Vela 40 mm	50MXVBG03_40	1 pc
Modular Web Bar for Half Eurocylinder	50MXSH11	2 pcs
Modular Web Bar for Half Eurocylinder	50MXSH12	1 pc
Modular Web Bar for Half Eurocylinder	50MXSH13	1 pc
Modular Web Bar for Double & Thumbturn Eurocylinder	50MXS11	10 pcs
Modular Web Bar for Double & Thumbturn Eurocylinder	50MXS12	7 pcs
Modular Web Bar for Double & Thumbturn Eurocylinder	50MXS13	2 pcs
Modular Web Bar for Double & Thumbturn Eurocylinder	50MXS14	3 pcs
Modular Web Bar for Double & Thumbturn Eurocylinder	50MXS15	2 pcs
Modular Web Bar for Double & Thumbturn Eurocylinder	50MXS16	2 pcs
50 ml Lock Lubricant Spray Can	PS88	1 pc

PRICE LIST BRAVUS.3000

Padlock	Insert	Description	Item no.	Cylinder Type	Finishes	2023 List Price (excl VAT)		
						Assembled Price (MK/KA/KD) with 2 Keys	Assembled Price (MK/KA/KD) No Keys	Padlock With Cylinder (Body & Core Only)

Padlocks and locking insert for padlocks

		Padlock with shackle NANO PROTECTED™ 28 mm	B3L480-28	Fixed Core	Chrome	£102.13	£79.09	£56.49
		Padlock with shackle NANO PROTECTED™ 48 mm	B3L480-48	Fixed Core	Chrome	£115.59	£92.55	£69.95
		Padlock with shackle NANO PROTECTED™ 64 mm	B3L480-64	Fixed Core	Chrome	£122.05	£99.01	£76.41
		Padlock with shackle NANO PROTECTED™ 80 mm	B3L480-80	Fixed Core	Chrome	£127.57	£104.53	£81.93
		Padlock, TITALIUM™, Width 45 mm	B1L480-TI45	Fixed Core	TI	£76.62	£47.16	£24.56
		Padlock, TITALIUM™, Width 50 mm	B1L480-TI50	Fixed Core	TI	£80.36	£50.90	£28.30
		Padlock, TITALIUM™, Width 60 mm	B1L480-TI60	Fixed Core	TI	£86.59	£57.13	£34.53
		Padlock Titanium 83AL/40 Black	B3L83AL/40 Black	B3L492-V83	Black	£113.42	£90.38	£67.78
		Padlock Titanium 83AL/40 Blue	B3L83AL/40 Blue	B3L492-V83	Blue	£113.42	£90.38	£67.78
		Padlock Titanium 83AL/40 Green	B3L83AL/40 Green	B3L492-V83	Green	£113.42	£90.38	£67.78
		Padlock Titanium 83AL/40 Red	B3L83AL/40 Red	B3L492-V83	Red	£113.42	£90.38	£67.78

PRICE LIST BRAVUS.3000

Padlock	Insert	Description	Item no.	Cylinder Type	Finishes	2023 List Price (excl VAT)		
						Assembled Price (MK/KA/KD) with 2 Keys	Assembled Price (MK/KA/KD) No Keys	Padlock With Cylinder (Body & Core Only)
		Padlock Titanium 83AL/40 Silver	B3L83AL/40 Silver	B3L492-V83	Silver	£113.42	£90.38	£67.78
		Padlock Titanium 83AL/40 Yellow	B3L83AL/40 Yellow	B3L492-V83	Yellow	£113.42	£90.38	£67.78
		Padlock Brass 83/45	B3L83/45	B3L492-V83	Brass	£120.18	£97.14	£74.54
		Padlock Brass 83/50	B3L83/50	B3L492-V83	Chrome	£129.98	£106.94	£84.34
		Padlock Brass 83CS/50	B3L83CS/50	B3L492-V83	Chrome	£138.10	£115.06	£92.46
		Padlock Brass 83WP/53 Marine	B3L83WP/53	B3L492-V83	Blue	£137.03	£113.99	£91.39
		Padlock Steel 83WP/53 Extreme	B3L83WP/53	B3L492-V83	Black	£126.83	£103.79	£81.19
		Padlock Steel 83WPCS/53 Extreme	B3L83WPCS/53	B3L492-V83	Black	£136.99	£113.95	£91.35

PRICE LIST BRAVUS.3000

Padlock	Insert	Description	Item no.	Cylinder Type	Finishes	2023 List Price (excl VAT)		
						Assembled Price (MK/KA/KD) with 2 Keys	Assembled Price (MK/KA/KD) No Keys	Padlock With Cylinder (Body & Core Only)
		Padlock Steel 83WP/63 Extreme	B3L83WP/63	B3L492-V83	Black	£132.02	£108.98	£86.38
		Padlock Steel 83/55 Rock	B3L83/55	B3L492-V83	Chrome	£146.13	£123.09	£100.49
		Padlock Steel 83CS/55 Rock	B3L83CS/55	B3L492-V83	Chrome	£155.96	£132.92	£110.32
		Padlock Steel 83/60 Rock	B3L83/60	B3L457-2	Chrome	£154.29	£131.25	£108.65
		Padlock Steel 83/60HB60 Rock	B3L83/60HB60	B3L457-2	Chrome	£157.14	£134.10	£111.50
		Padlock Steel 83/80 Rock	B3L83/80	B3L457-2	Chrome	£203.28	£180.24	£157.64
		Padlock Steel 83/80HB80 Rock	B3L83/80HB80	B3L457-2	Chrome	£204.03	£180.99	£158.39

PRICE LIST BRAVUS.3000

Padlock	Insert	Description	Item no.	Cylinder Type	Finishes	2023 List Price (excl VAT)		
						Assembled Price (MK/KA/KD) with 2 Keys	Assembled Price (MK/KA/KD) No Keys	Padlock With Cylinder (Body & Core Only)
		Padlock Steel 83/80HB100 Rock	B3L83/80HB100	B3L457-2	Chrome	£210.20	£187.16	£164.56
		Padlock Titanium 86TI	B3L86TI/45	B3L452	TI	£111.00	£87.96	£65.17
		Padlock Titanium 86TI	B3L86TI/45HB80	B3L452	TI	£114.36	£91.32	£68.53
		Padlock Titanium 86TI	B3L86TI/55	B3L452	TI	£118.75	£95.71	£72.92
		Padlock Titanium 86TI	B3L86TIIB/45	B3L452	TI	£113.31	£90.27	£67.48
		Padlock Titanium 86TI	B3L86TI/45HB80	B3L452	TI	£115.94	£92.90	£70.11
		Padlock Titanium Marine 90RK	B3L90RK/50	B3L492-V83	TI	£129.88	£106.84	£84.24

PRICE LIST BRAVUS.3000

Padlock	Insert	Description	Item no.	Cylinder Type	Finishes	2023 List Price (excl VAT)		
						Assembled Price (MK/KA/KD) with 2 Keys	Assembled Price (MK/KA/KD) No Keys	Padlock With Cylinder (Body & Core Only)
		Padlock Steel, 93RK/110 With Half Profile Eurocylinder	B3L93RK/110 EPZ	B3L452	Chrome	£205.69	£182.65	£159.86
		6000PZ/90 Bordo Service Folding Bike Lock	B3L6000PZ/90	B3L452	Black	£164.30	£141.26	£118.47



BRAVUS – KEYS, SPECIAL FUNCTIONS & SURCHARGES

Keys

Keys	Item no.	Finishes	List Price (ex VAT)
Key Blank – Bravus 3000	66K00NOV	Nickel Silver	£6.21
Cut Differ Key – Bravus 3000	66K00NOV-B3L KCD	Nickel Silver	£13.65
Cut Master key – Bravus 3000	66K00NOV-B3L KCM	Nickel Silver	£15.80
Cut Differ Key Supplied with MK System – Bravus 3000	66K00NOV-B3L MKCD	Nickel Silver	£11.52
Cut Master key Supplied With MK System – Bravus 3000	66K00NOV-B3L MKCM	Nickel Silver	£13.65

Special Functions & Surcharges

Special Functions & Surcharges	Item no.	Application	List Price (ex VAT)
Emergency Clutch Function <ul style="list-style-type: none"> Only for double cylinders It allows the cylinder to be operated from one side even if a key is inserted on the other side of the cylinder, e.g. in front doors, emergency doors 	GKUP	Eurocylinders	£14.73
Free Wheel Cam With Key Removed <ul style="list-style-type: none"> Only for double and half cylinders in mortice locks with panic function or multipoint locking For all systems incl. emergency function When the keys are taken off on both sides the cylinder cores are not linked torque proof with the cam 	PKUP	Eurocylinders	£14.73
Free Wheel Cam Gear Locks Emergency Exit – FZG <ul style="list-style-type: none"> Free-wheel function for profile double cylinders in emergency exits with gear locks tested according to PIV directive Definition according to DIN 18252: The cam of the profile cylinder can be turned freely when the key is taken out Starting at lengths 35-35 (system Bravus starting at lengths 30-30); only applicable to 6-pin systems 	ZKUP	Eurocylinders	£24.94
Free Wheel Limited Function Half Cylinder	F	Half Eurocylinder	£14.73
Classroom Function – Z Turn Eurocylinders <ul style="list-style-type: none"> Key over-rides the turn being held. Cylinder can also be set on-site to restrict the rotation of the turn to either clockwise or anti-clockwise. 	ZKU1	Eurocylinders	£24.94
Key Decoupling of Z Turn Eurocylinders <ul style="list-style-type: none"> Only for thumbturn cylinders Used in public buildings, schools, nurseries By inserting the key on the outside the thumbturn is not able to lock on the inside Any thumbturn shape and finish (standard version: shape Z, Nickel Pearl) 	ZKU2	Eurocylinders	£36.85
Key Decoupling of Red Polyamide Turn (Anti Amok) <ul style="list-style-type: none"> Only for thumbturn cylinders Used in public buildings, schools, nurseries By inserting the key on the outside the thumbturn is not able to lock on the inside With red thumbturn, shape L, polyamide (Anti Amok) 	ZKU3	Eurocylinders	£36.85
EN1303 Class D Attack Resistance <ul style="list-style-type: none"> For doors which need a special protection Two additional hardened steel pins are inserted in the housing and core on each cylinder side Only for double cylinders 6 pin system 	BZD	Eurocylinders	£20.26
Separate Rotation Locking Eurocylinders <ul style="list-style-type: none"> Used when certain sets of keys only get a limited locking function With two sets of keys The first key only operates the latch, the second key operates the latch and the bolt Limited use in locking systems 	FSWS	Eurocylinders	£32.78

BRAVUS – SPECIAL FUNCTIONS & SURCHARGES, TOOLING & TRAINING

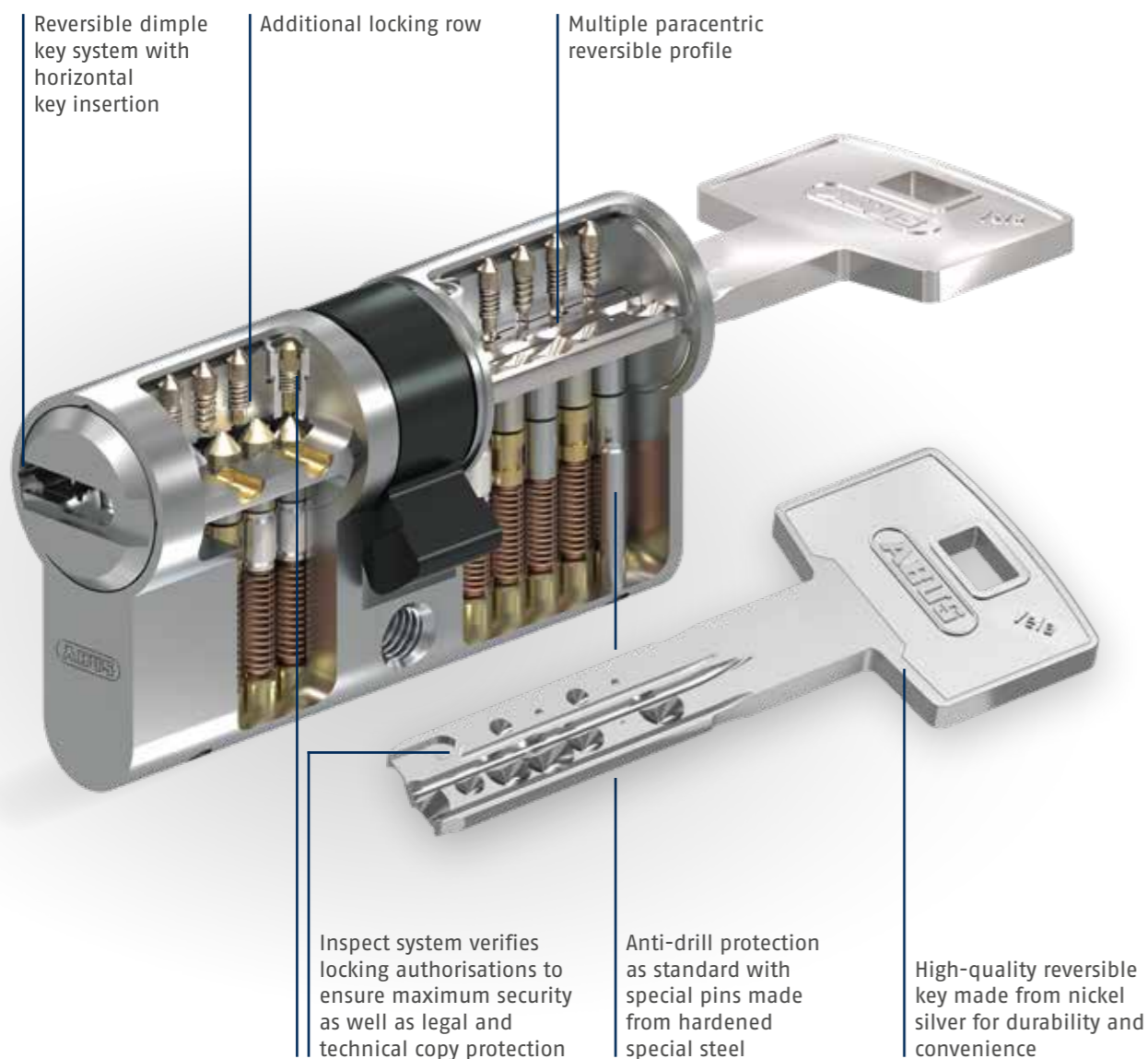
Special Functions & Surcharges	Item no.	Application	List Price (ex VAT)
Secondary Key Set <ul style="list-style-type: none"> After a loss of keys they are no longer authorized to open the cylinder (without change of the cylinder) or if a locking system is already assembled during the construction phase and after the completion of the building the keys of the builder should no longer be authorized to open the cylinders (without change of the cylinder) With two sets of keys After loss of the 1st set of keys the 2nd set is used and can revoke the locking authority of all keys of the 1st set permanently Limited use in locking systems 	FZSS	Eurocylinders	£31.22
Increased Picking Protection	PS	All Cylinders	£26.74
Pre-Snap for eurocylinders	BR09	Eurocylinders	£5.82
Strong Drill Protection <ul style="list-style-type: none"> Profile cylinders: all systems, special cylinders: on demand For doors which need a special protection Two additional hardened steel pins in the housing and core plus one steel pin on the face of the housing on each locking side 	BS04	Eurocylinders	£36.85
Salt Water Resistance <ul style="list-style-type: none"> For the use in maritime climate or saline atmosphere Housing, cores and thumbturn in brass, nickel-plated Protection measures against corrosion for all functional parts Combinations with other special features can be restricted The special feature has been tested in climate and salt mist test according to DIN 50021SS regarding corrosion resistance 	SA01	All Cylinders	£23.49
Cylinder Build Surcharge (Bravus)	BUILD-BRAVUS	All Cylinders	£16.70

Tooling & Training

Pinning Kits & Training	Item no.	Application	List Price (ex VAT)
Assembly Tool Kit (Bravus & Vela)	MHG39	Tooling	£1,163.00
Pinning Kit KD/KA/MK (Bravus 1000-3000)	MHU32	Tooling	£913.91
Cylinder Assembly Training		Training	£299.99
OBS Training		Training	£299.99

VELA.2000

Overview



TECHNICAL DETAILS

In detail

System:	Vela.2000
Key:	Multiple paracentric reversible key made from hard-wearing nickel silver
Key insertion:	Horizontal
Patent protection*:	✓
Trademark protection:	✓
Copy protection:	Inspect system
Locking rows:	2
Total locking elements:	10
Modular design:	Optional
Minimum length:	30/30 mm for Euro profile double cylinders
Length increments:	Extensions available in 5 mm increments
Security card:	✓
Key related security:	Class 6 in accordance with DIN EN 1303, details available on request
Attack resistance:	Class B Class D if special features anti-drill and extraction protection "BZD"
Fire resistance:	Class B, T90
Product certification:	Certified to DIN 18252 and DIN EN 1303 standards Optional, for example SKG***, details available on request
Manufacturer certification:	ISO 9001
Production:	Made in Germany

CLASSIFICATION NORM EN1303:2015- 08

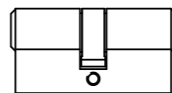
Lock security: 1 2 3 4 5 **6** Durability: 1 2 3 4 5 **6** Fire resistance: 0 A **B** Corrosion resistance: 0 A B **C** Attack resistance: 0 A **B** C D



PRICE LIST VELA.2000

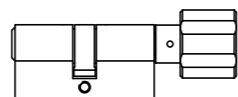
Description	Model	Overall Length	Finishes	2023 List Price (excl VAT)		
				Assembled Price (MK/KA/KD) with 2 Keys	Assembled Price (MK/KA/KD) No Keys	Components (Body & Core Only)

Euro profile Double Cylinders



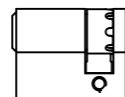
Euro Profile Double Cylinder	VE2L410 3030	30/30 mm	NI & MS	£67.66	£50.20	£29.64
Euro Profile Double Cylinder	VE2L410 3535	35/35 mm	NI & MS	£75.36	£57.90	£37.34
Euro Profile Double Cylinder	VE2L410 4040	40/40 mm	NI & MS	£83.06	£65.60	£45.04
Euro Profile Double Cylinder	VE2L410 4545	45/45 mm	NI & MS	£90.76	£73.30	£52.74
Euro Profile Double Cylinder	VE2L410 5050	50/50 mm	NI & MS	£98.46	£81.00	£60.44

Euro profile Thumbturn Cylinders



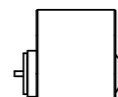
Euro Profile Thumbturn Cylinder	VE2L430 3030	30/30 mm	NI & MS	£78.94	£61.48	£45.42
Euro Profile Thumbturn Cylinder	VE2L430 3535	35/35 mm	NI & MS	£86.64	£69.18	£53.12
Euro Profile Thumbturn Cylinder	VE2L430 4040	40/40 mm	NI & MS	£94.34	£76.88	£60.82
Euro Profile Thumbturn Cylinder	VE2L430 4545	45/45 mm	NI & MS	£102.04	£84.58	£68.52
Euro Profile Thumbturn Cylinder	VE2L430 5050	50/50 mm	NI & MS	£109.74	£92.28	£76.22

Euro profile Half Cylinders



Euro Profile Half Cylinder with 8-fold adjustable cam	VE2L452 1030	10/30 mm	NI & MS	£60.60	£43.14	£27.08
Euro Profile Half Cylinder with 8-fold adjustable cam	VE2L452 1035	10/35 mm	NI & MS	£64.45	£46.99	£30.93
Euro Profile Half Cylinder with 8-fold adjustable cam	VE2L452 1040	10/40 mm	NI & MS	£68.30	£50.84	£34.78

Scandinavian Oval Profile Cylinders

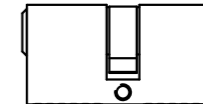


Interior Scandinavian Oval Profile Cylinder	VE2L457-1	31 mm	NI & MS	£81.65	£64.19	£48.32
Exterior Scandinavian Oval Profile Cylinder	VE2L457-2	31 mm	NI & MS	£81.65	£64.19	£48.32

PRICE LIST VELA.2000

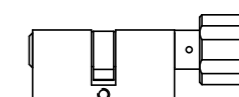
Description	Model	Overall Length	Finishes	2023 List Price (excl VAT)		
				Assembled Price (MK/KA/KD) with 2 Keys	Assembled Price (MK/KA/KD) No Keys	Components (Body & Core Only)

UK Oval Profile Double Cylinders



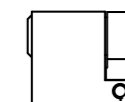
UK Oval Profile Double Cylinder	VE2L417 3030	60 mm	NI & MS	£85.65	£68.19	£47.63
UK Oval Profile Double Cylinder	VE2L417 3535	70 mm	NI & MS	£93.35	£75.89	£55.33
UK Oval Profile Double Cylinder	VE2L417 4040	80 mm	NI & MS	£101.05	£83.59	£63.03
UK Oval Profile Double Cylinder	VE2L417 4545	90 mm	NI & MS	£108.75	£91.29	£70.73
UK Oval Profile Double Cylinder	VE2L417 5050	100 mm	NI & MS	£116.45	£98.99	£78.43

UK Oval Profile Thumbturn Cylinders



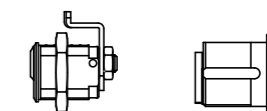
UK Oval Profile Thumbturn Cylinder	VE2L437 3030	60 mm	NI & MS	£99.24	£81.78	£65.72
UK Oval Profile Thumbturn Cylinder	VE2L437 3535	70 mm	NI & MS	£106.94	£89.48	£73.42
UK Oval Profile Thumbturn Cylinder	VE2L437 4040	80 mm	NI & MS	£114.64	£97.18	£81.12
UK Oval Profile Thumbturn Cylinder	VE2L437 4545	90 mm	NI & MS	£122.34	£104.88	£88.82
UK Oval Profile Thumbturn Cylinder	VE2L437 5050	100 mm	NI & MS	£130.04	£112.58	£96.52

UK Oval Profile Half Cylinders



UK Oval Profile Half Cylinder with 8-fold adjustable cam	VE2L457 1030	40 mm	NI & MS	£75.63	£58.17	£42.11
UK Oval Profile Half Cylinder with 8-fold adjustable cam	VE2L457 1035	45 mm	NI & MS	£79.48	£62.02	£45.96
UK Oval Profile Half Cylinder with 8-fold adjustable cam	VE2L457 1040	50 mm	NI & MS	£83.33	£65.87	£49.81
UK Oval Profile Half Cylinder with 8-fold adjustable cam	VE2L457 1045	55 mm	NI & MS	£87.18	£69.72	£53.66

Cam & Mortice Profile Cylinders

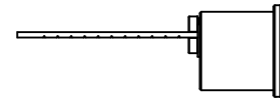


Cam Cylinder Ø 24 mm Without Rossette & Cam	VE2L456-H24	26.9 mm	NI	£72.27	£54.81	£38.94
Mortice Cylinder Ø 29,2 mm Without Rossette	VE2L456-SR1	30 mm	NI	£96.98	£79.52	£52.93

PRICE LIST VELA.2000

Description	Model	Overall Length	Finishes	2023 List Price (excl VAT)		
				Assembled Price (MK/KA/KD) with 2 Keys	Assembled Price (MK/KA/KD) No Keys	Components (Body & Core Only)

UK Rim Profile Cylinders



Rim Cylinder Ø 29.6 mm, with Rosette	VE2L454-29,6	25.3 mm	NI & MS	£79.36	£61.90	£46.03
--------------------------------------	--------------	---------	---------	--------	--------	--------

Description	Item no.	Cylinder Type	Finishes	2023 List Price (excl VAT)		
				Assembled Price (MK/KA/KD) with 2 Keys	Assembled Price (MK/KA/KD) No Keys	Padlock With Cylinder (Body & Core Only)

83 Padlock Locking Cylinder

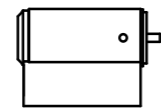
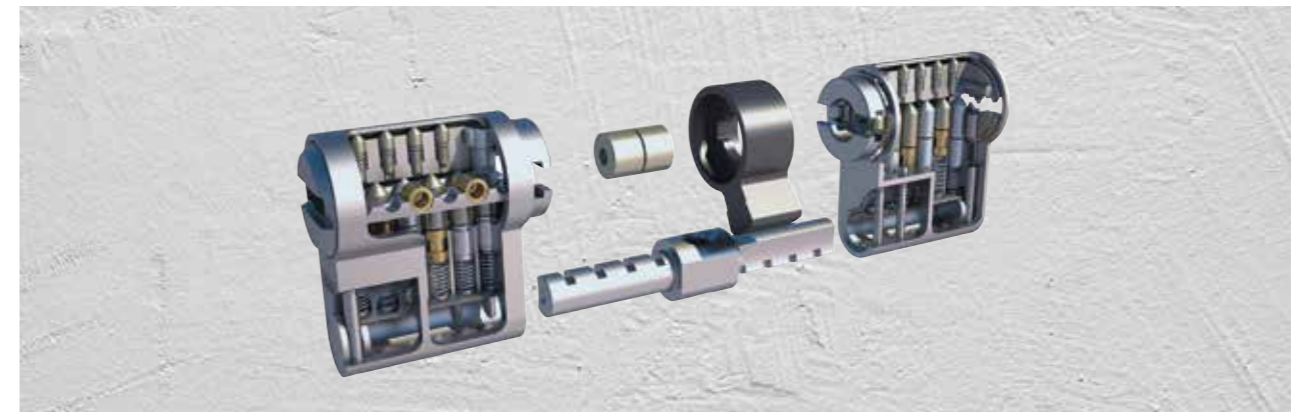
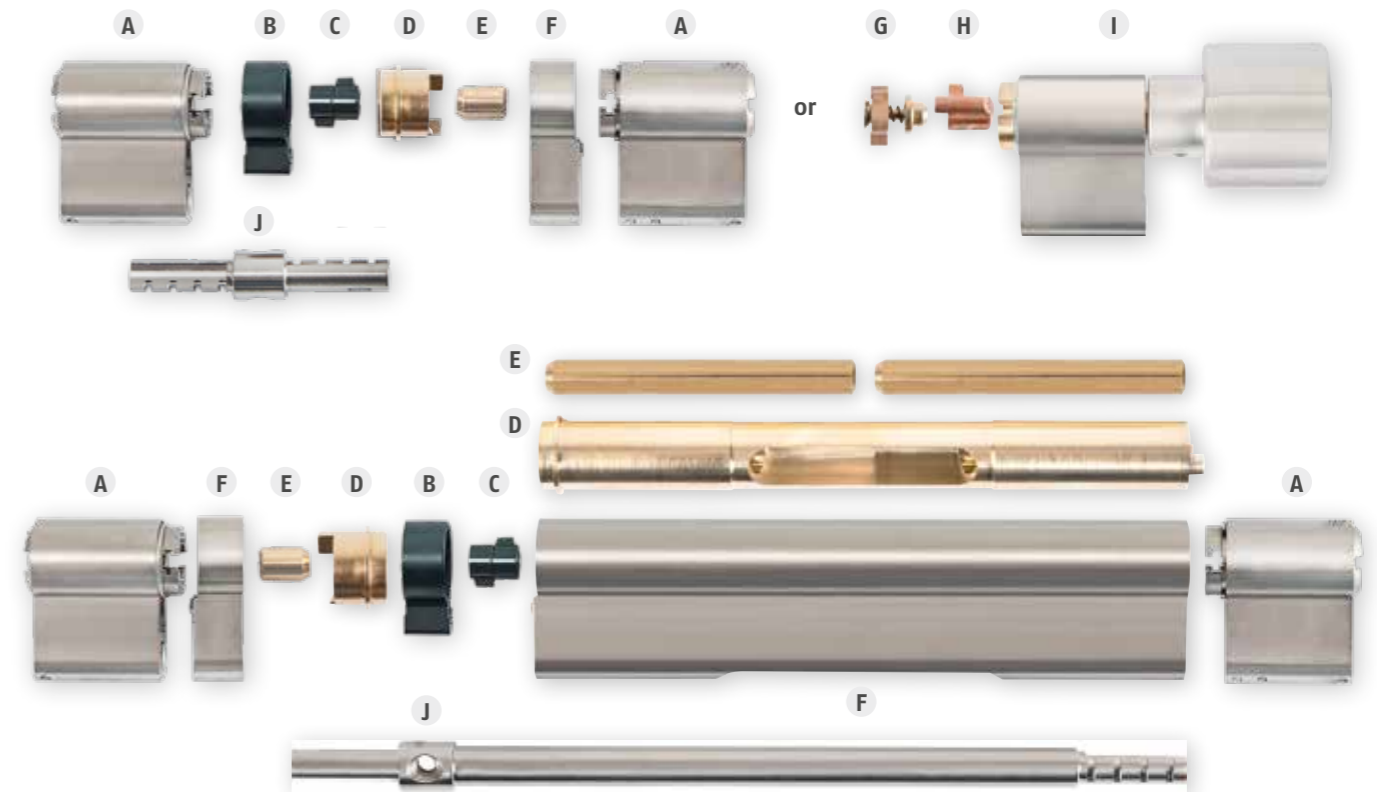


Figure 8 Cylinder for ABUS 83-series padlocks. Price does not include the padlock body	VE2L492-V83	VE2L492-V83	NI	£82.04	£64.58	£48.71
--	-------------	-------------	----	--------	--------	--------

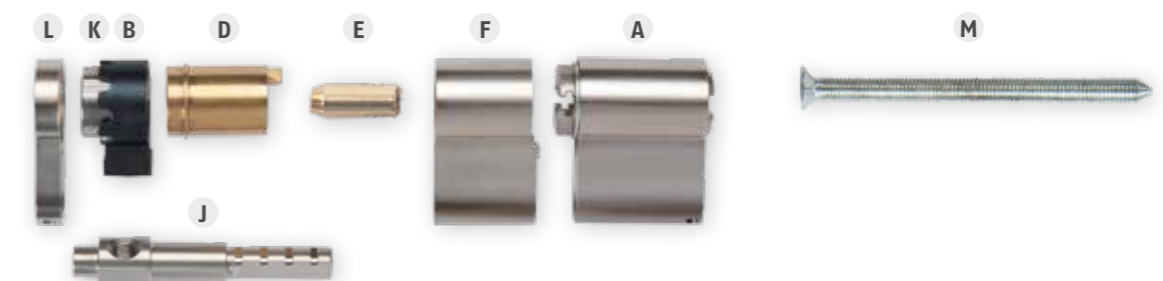
VELA.2000 MODULAR MX SYSTEM OPTIONS



Double and thumbturn cylinders



Half cylinders



- A Modular cylinder unit
- B Cam
- C Coupling
- D Core extension
- E Key extension
- F Housing extension
- G Coupling for thumbturn cylinder
- H Thumbturn shaft follower
- I Modular cylinder unit with thumbturn
- J Modular bars
- K Pressure piece
- L Housing closure
- M Mounting screw

VELA.2000 MODULAR MX SYSTEM OPTIONS

Modular MX



Vela.2000 Modular MX

Cylinder type	Modular Units Pinned, Excluding Extensions or Web Bars	Model	Finishes	2023 List Price (excl VAT)		
				Assembled Price (MK/KA/KD) with 2 Keys	Assembled Price (MK/KA/KD) No Keys	Components (Body & Core Only)
1 Single Eurocylinder unit	1pc x Modular Keyed Unit, No Coupling or Cam, Vela	VE2L460MX	NI & MS	£58.51	£48.30	£36.74
2 Double Eurocylinder	2pcs x Modular Keyed Units, With Coupling & Cam, Vela	VE2L461MX	NI & MS	£91.70	£81.49	£69.93
3 Thumbturn Eurocylinder	1 Set x Modular Thumbturn/Modular Keyed Unit, Coupling & Cam Vela	VE2L462MX	NI & MS	£88.29	£78.08	£66.52
4 Half Eurocylinder	1pc x Modular Unit With Coupling & Cam (Half Eurocyl.), Vela	VE2L464MX	NI & MS	£76.95	£66.74	£55.17
5 Thumbturn for Eurocylinder	Modular Thumbturn Unit Bravus/Vela	BXL463MX	NI & MS			£29.78
6 Conversion to Half Eurocylinder	Modular Half Eurocylinder Conversion Set W/Out Web Bar	50MXHZBG01	NI & MS			£9.58

VELA.2000 MODULAR MX SYSTEM OPTIONS

Special Finishes (Modular MX)



Description	Item no.	List Price
Cylinder Finish – Nickel	NI	£0.00
Cylinder Finish – Ultra Black Matte	UMSW	£69.96
Cylinder Finish – Antique Brass	MSA	£69.96
Cylinder Finish – Antique Copper	CUA	£69.96
Cylinder Finish – Dark Nickel	NIA	£69.96
Cylinder Finish – Antique Silver	SIA	£69.96
Cylinder Finish – Matt Black	MASW	£116.65
Cylinder Finish – Black Silver	SISW	£69.96
Cylinder Finish – Brass	MS	£0.00
Cylinder Finish – Polished Gold	AUPO	£21.06
Cylinder Finish – Satin Chrome	CR	£21.06
Cylinder Finish – Polished Chrome	CRGL	£69.96

VELA.2000 MODULAR MX SYSTEM OPTIONS

Modular MX Kits




Modular MX Kits (Bravus & Vela)	Item no.	List Price	Example images
Modular kit for Bravus and Vela	MHU39	£1036.84	
Tray MX up to entire length of 70/70 mm for Bravus & Vela	MHUS01	£894.84	
Tray MX up to entire length of 100/100 mm for Bravus & Vela	MHUS02	£638.41	
Systemainer Box for Tray MX	WRBMK_SYSTAIN	£125.62	
Empty Tray MX incl. grey boxes	MHUS05	£74.35	
Empty Tray MX	MHUS06	£48.72	

MHU39 Modular Kit Contents List (Bravus & Vela)	Item no.	Quantity
Modular Extension Set Bravus / Vela 5 mm	50MXVBG03_05	8 pcs
Modular Extension Set Bravus / Vela 10 mm	50MXVBG03_10	5 pcs
Modular Extension Set Bravus / Vela 15 mm	50MXVBG03_15	5 pcs
Modular Extension Set Bravus / Vela 20 mm	50MXVBG03_20	5 pcs
Modular Extension Set Bravus / Vela 25 mm	50MXVBG03_25	3 pcs
Modular Extension Set Bravus / Vela 30 mm	50MXVBG03_30	2 pcs
Modular Extension Set Bravus / Vela 35 mm	50MXVBG03_35	1 pc
Modular Extension Set Bravus / Vela 40 mm	50MXVBG03_40	1 pc
Modular Web Bar for Half Eurocylinder	50MXSH11	2 pcs
Modular Web Bar for Half Eurocylinder	50MXSH12	1 pc
Modular Web Bar for Half Eurocylinder	50MXSH13	1 pc
Modular Web Bar for Double & Thumbturn Eurocylinder	50MXS11	10 pcs
Modular Web Bar for Double & Thumbturn Eurocylinder	50MXS12	7 pcs
Modular Web Bar for Double & Thumbturn Eurocylinder	50MXS13	2 pcs
Modular Web Bar for Double & Thumbturn Eurocylinder	50MXS14	3 pcs
Modular Web Bar for Double & Thumbturn Eurocylinder	50MXS15	2 pcs
Modular Web Bar for Double & Thumbturn Eurocylinder	50MXS16	2 pcs
50 ml Lock Lubricant Spray Can	PS88	1 pc

PRICE LIST VELA.2000

Padlock	Insert	Description	Item no.	Cylinder Type	Finishes	2023 List Price (excl VAT)		
						Assembled Price (MK/KA/KD) with 2 Keys	Assembled Price (MK/KA/KD) No Keys	Padlock With Cylinder (Body & Core Only)

Padlocks and locking insert for padlocks

		Padlock with shackle NANO PROTECTED™ 28 mm	VE2L480-28	Fixed Core	Chrome	£86.36	£68.90	£53.03
		Padlock with shackle NANO PROTECTED™ 48 mm	VE2L480-48	Fixed Core	Chrome	£99.82	£82.36	£66.49
		Padlock with shackle NANO PROTECTED™ 64 mm	VE2L480-64	Fixed Core	Chrome	£106.28	£88.82	£72.95
		Padlock with shackle NANO PROTECTED™ 80 mm	VE2L480-80	Fixed Core	Chrome	£111.80	£94.34	£78.47
		Padlock, TITALIUM™, Width 45 mm	VE1L480-TI45	Fixed Core	TI	£28.87	£28.87	£26.17
		Padlock, TITALIUM™, Width 50 mm	VE1L480-TI50	Fixed Core	TI	£32.61	£32.61	£29.91
		Padlock, TITALIUM™, Width 60 mm	VE1L480-TI60	Fixed Core	TI	£38.84	£38.84	£36.14
		Padlock Titanium 83AL/40 Black	VE2L83AL/40 Black	VE2L492-V83	Black	£96.07	£78.61	£62.74
		Padlock Titanium 83AL/40 Blue	VE2L83AL/40 Blue	VE2L492-V83	Blue	£96.07	£78.61	£62.74
		Padlock Titanium 83AL/40 Green	VE2L83AL/40 Green	VE2L492-V83	Green	£96.07	£78.61	£62.74
		Padlock Titanium 83AL/40 Red	VE2L83AL/40 Red	VE2L492-V83	Red	£96.07	£78.61	£62.74

PRICE LIST VELA.2000

Padlock	Insert	Description	Item no.	Cylinder Type	Finishes	2023 List Price (excl VAT)		
						Assembled Price (MK/KA/KD) with 2 Keys	Assembled Price (MK/KA/KD) No Keys	Padlock With Cylinder (Body & Core Only)
		Padlock Titanium 83AL/40 Silver	VE2L83AL/40 silver	VE2L492-V83	Silver	£96.07	£78.61	£62.74
		Padlock Titanium 83AL/40 Yellow	VE2L83AL/40 Yellow	VE2L492-V83	Yellow	£96.07	£78.61	£62.74
		Padlock Brass 83/45	VE2L83/45	VE2L492-V83	Brass	£102.83	£85.37	£69.50
		Padlock Brass 83/50	VE2L83/50	VE2L492-V83	Chrome	£112.63	£95.17	£79.30
		Padlock Brass 83CS/50	VE2L83CS/50	VE2L492-V83	Chrome	£120.75	£103.29	£87.42
		Padlock Brass 83WPIB/53 Marine	VE2L83WPIB/53	VE2L492-V83	Blue	£119.68	£102.22	£86.35
		Padlock Steel 83WP/53 Extreme	VE2L83WP/53	VE2L492-V83	Black	£109.48	£92.02	£76.15
		Padlock Steel 83WPCS/53 Extreme	VE2L83WPCS/53	VE2L492-V83	Black	£119.64	£102.18	£86.31

PRICE LIST VELA.2000

Padlock	Insert	Description	Item no.	Cylinder Type	Finishes	2023 List Price (excl VAT)		
						Assembled Price (MK/KA/KD) with 2 Keys	Assembled Price (MK/KA/KD) No Keys	Padlock With Cylinder (Body & Core Only)
		Padlock Steel 83WP/63 Extreme	VE2L83WP/63	VE2L492-V83	Black	£114.67	£97.21	£81.34
		Padlock Steel 83/55 Rock	VE2L83/55	VE2L492-V83	Chrome	£128.78	£111.32	£95.45
		Padlock Steel 83CS/55 Rock	VE2L83CS/55	VE2L492-V83	Chrome	£138.61	£121.15	£105.28
		Padlock Steel 83/60 Rock	VE2L83/60	VE2L457-2	Chrome	£138.58	£121.12	£105.25
		Padlock Steel 83/60HB60 Rock	VE2L83/60HB60	VE2L457-2	Chrome	£141.43	£123.97	£108.10
		Padlock Steel 83/80 Rock	VE2L83/80	VE2L457-2	Chrome	£187.57	£170.11	£154.24
		Padlock Steel 83/80HB80 Rock	VE2L83/80HB80	VE2L457-2	Chrome	£188.32	£170.86	£154.99

VELA



PRICE LIST VELA.2000

Padlock	Insert	Description	Item no.	Cylinder Type	Finishes	2023 List Price (excl VAT)		
						Assembled Price (MK/KA/KD) with 2 Keys	Assembled Price (MK/KA/KD) No Keys	Padlock With Cylinder (Body & Core Only)
		Padlock Steel 83/80HB100 Rock	VE2L83/80HB100	VE2L457-2	Chrome	£194.49	£177.03	£161.16
		Padlock Titalium 86TI	VE2L86TI/45	VE2L452	TI	£94.04	£76.58	£60.52
		Padlock Titalium 86TI	VE2L86TI/45HB80	VE2L452	TI	£97.40	£79.94	£63.88
		Padlock Titalium 86TI	VE2L86TI/55	VE2L452	TI	£101.79	£84.33	£68.27
		Padlock Titalium 86TI	VE2L86TIIB/45	VE2L452	TI	£96.35	£78.89	£62.83
		Padlock Titalium 86TI	VE2L86TI/45HB80	VE2L452	TI	£98.98	£81.52	£65.46
		Padlock Titalium Marine 90RK	VE2L90RK/50	VE2L492-V83	TI	£112.53	£95.07	£79.20

PRICE LIST VELA.2000

Padlock	Insert	Description	Item no.	Cylinder Type	Finishes	2023 List Price (excl VAT)		
						Assembled Price (MK/KA/KD) with 2 Keys	Assembled Price (MK/KA/KD) No Keys	Padlock With Cylinder (Body & Core Only)
		Padlock Steel, 93RK/110 With Half Profile Eurocylinder	VE2L93RK/110 EPZ	VE2L452	Chrome	£188.73	£171.27	£155.21
		6000PZ/90 Bordo Service Folding Bike Lock	VE2L6000PZ/90	VE2L452	Black	£147.34	£129.88	£113.82

VELA



VELA – KEYS, SPECIAL FUNCTIONS & SURCHARGES

Keys

Keys	Item no.	Finishes	List Price (ex VAT)
Key Blank – Vela 2000	66K1H0N0V	Nickel Silver	£5.65
Cut Differ Key – Vela 2000	66K1H0N0V-VE2L KCD	Nickel Silver	£10.89
Cut Master Key – Vela 2000	66K1H0N0V-VE2L KCM	Nickel Silver	£13.03
Cut Differ Key Supplied with MK System – Vela 2000	66K1H0N0V-VE2L MKCD	Nickel Silver	£8.73
Cut Master Key Supplied With MK System – Vela 2000	66K1H0N0V-VE2L MKCM	Nickel Silver	£10.89

Special Functions & Surcharges

Special Functions & Surcharges	Item no.	Application	List Price (ex VAT)
Emergency Clutch Function <ul style="list-style-type: none"> Only for double cylinders It allows the cylinder to be operated from one side even if a key is inserted on the other side of the cylinder, e.g. in front doors, emergency doors 	GKUP	Eurocylinders	£14.73
Free Wheel Cam With Key Removed <ul style="list-style-type: none"> Only for double and half cylinders in mortice locks with panic function or multipoint locking For all systems incl. emergency function When the keys are taken off on both sides the cylinder cores are not linked torque proof with the cam 	PKUP	Eurocylinders	£14.73
Free Wheel Cam Gear Locks Emergency Exit – FZG <ul style="list-style-type: none"> Free-wheel function for profile double cylinders in emergency exits with gear locks tested according to PIV directive Definition according to DIN 18252: The cam of the profile cylinder can be turned freely when the key is taken out Starting at lengths 35-35 (system Bravus starting at lengths 30-30); only applicable to 6-pin systems 	ZKUP	Eurocylinders	£24.94
Free Wheel Limited Function Half Cylinder	F	Half Eurocylinder	£14.73
Classroom Function – Z Turn Eurocylinders <ul style="list-style-type: none"> Key over-rides the turn being held. Cylinder can also be set on-site to restrict the rotation of the turn to either clockwise or anti-clockwise. 	ZKU1	Eurocylinders	£24.94
Key Decoupling of Z Turn Eurocylinders <ul style="list-style-type: none"> Only for thumbturn cylinders Used in public buildings, schools, nurseries By inserting the key on the outside the thumbturn is not able to lock on the inside Any thumbturn shape and finish (standard version: shape Z, Nickel Pearl) 	ZKU2	Eurocylinders	£36.85
Key Decoupling of Red Polyamide Turn (Anti Amok) <ul style="list-style-type: none"> Only for thumbturn cylinders Used in public buildings, schools, nurseries By inserting the key on the outside the thumbturn is not able to lock on the inside With red thumbturn, shape L, polyamide (Anti Amok) 	ZKU3	Eurocylinders	£36.85
EN1303 Class D Attack Resistance <ul style="list-style-type: none"> For doors which need a special protection Two additional hardened steel pins are inserted in the housing and core on each cylinder side Only for double cylinders 6 pin system 	BZD	Eurocylinders	£20.26
Separate Rotation Locking Eurocylinders <ul style="list-style-type: none"> Used when certain sets of keys only get a limited locking function With two sets of keys The first key only operates the latch, the second key operates the latch and the bolt Limited use in locking systems 	FSWS	Eurocylinders	£32.78

VELA – SPECIAL FUNCTIONS & SURCHARGES, TOOLING & TRAINING

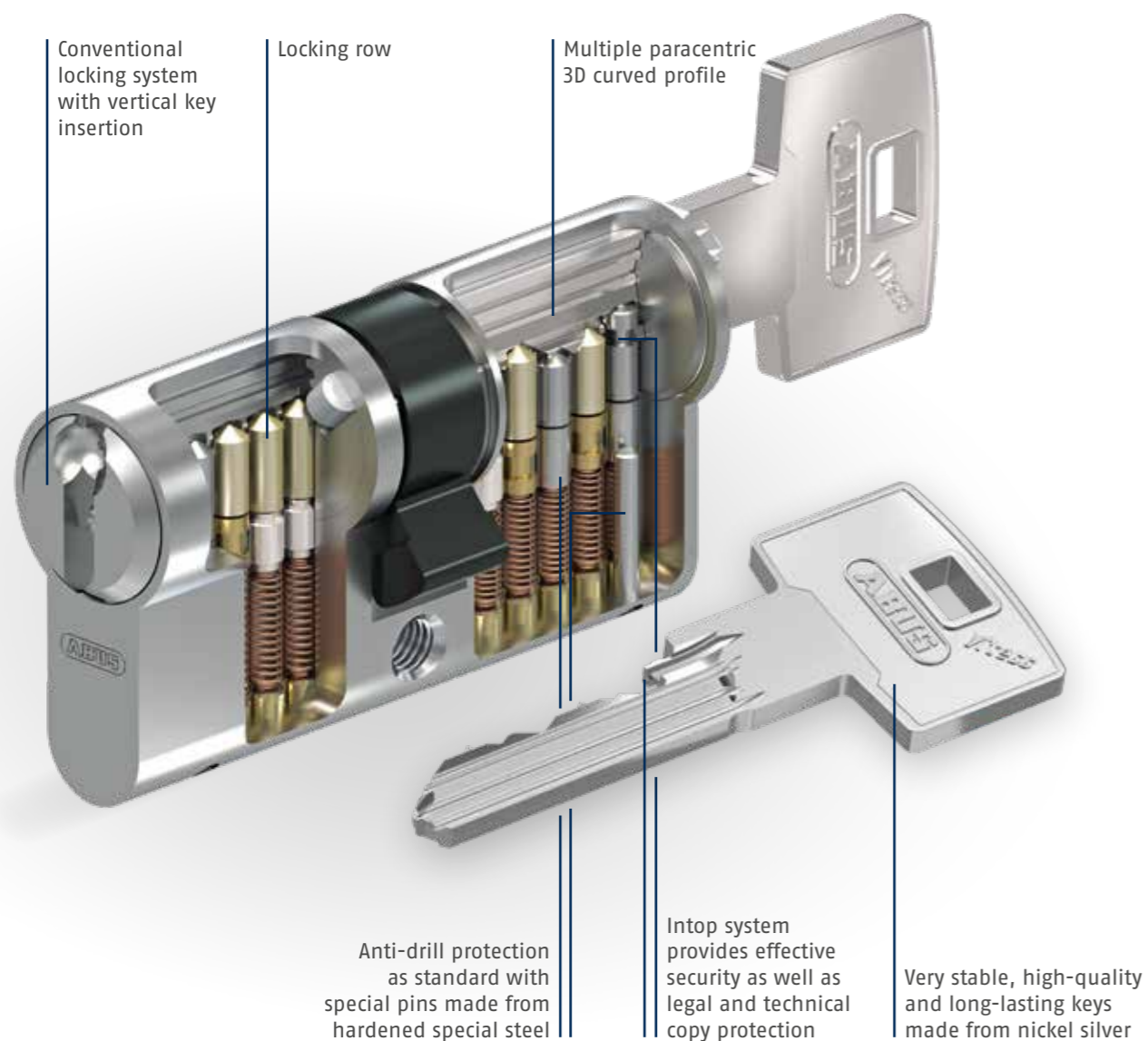
Special Functions & Surcharges	Item no.	Application	List Price (ex VAT)
Secondary Key Set <ul style="list-style-type: none"> After a loss of keys they are no longer authorized to open the cylinder (without change of the cylinder) or if a locking system is already assembled during the construction phase and after the completion of the building the keys of the builder should no longer be authorized to open the cylinders (without change of the cylinder) With two sets of keys After loss of the 1st set of keys the 2nd set is used and can revoke the locking authority of all keys of the 1st set permanently Limited use in locking systems 	FZSS	Eurocylinders	£31.22
Increased Picking Protection	PS	All Cylinders	£26.74
Pre-Snap for eurocylinders	BR09	Eurocylinders	£5.82
Strong Drill Protection <ul style="list-style-type: none"> Profile cylinders: all systems, special cylinders: on demand For doors which need a special protection Two additional hardened steel pins in the housing and core plus one steel pin on the face of the housing on each locking side 	BS04	Eurocylinders	£36.85
Salt Water Resistance <ul style="list-style-type: none"> For the use in maritime climate or saline atmosphere Housing, cores and thumbturn in brass, nickel-plated Protection measures against corrosion for all functional parts Combinations with other special features can be restricted The special feature has been tested in climate and salt mist test according to DIN 50021SS regarding corrosion resistance 	SA01	All Cylinders	£23.49
Cylinder Build Surcharge (All Systems, Except Bravus)	BUILD	All Cylinders	£11.56

Tooling & Training

Pinning Kits & Training	Item no.	Application	List Price (ex VAT)
Assembly Tool Kit (Bravus & Vela)	MHG39	Tooling	£1,163.00
Pinning Kit KD/KA/MK (Bravus 1000-3000)	MHU46	Tooling	£913.91
Cylinder Assembly Training		Training	£299.99
OBS Training		Training	£299.99

VITESS.1000

Overview



TECHNICAL DETAILS

In detail

System:	Vitess.1000
Key:	High cross-section key with 3D-curved multiple paracentric profile, made from hard-wearing nickel silver
Key insertion:	Vertical
Patent protection*:	✓
Trademark protection:	✓
Copy protection:	The Intop system provides technical copy protection by verifying locking authorisation both inside the cylinder and on the key
Locking rows:	1
Total locking elements:	6
Modular design:	Optional
Minimum length:	30/30 mm for Euro profile double cylinders
Length increments:	Extensions available in 5 mm increments
Security card:	✓
Key related security:	Class 6 in accordance with DIN EN 1303, details available on request
Attack resistance:	Class B Class D if special features anti-drill and extraction protection "BZD"
Fire resistance:	Class B, T90
Product certification:	Certified to DIN 18252 and DIN EN 1303 standards Optional, for example SKG***, details available on request
Manufacturer certification:	ISO 9001
Production:	Made in Germany

CLASSIFICATION NORM EN1303:2015- 08

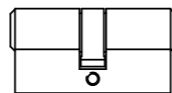
Lock security: 1 2 3 4 5 **6** Durability: 1 2 3 4 5 **6** Fire resistance: 0 A **B** Corrosion resistance: 0 A B **C** Attack resistance: 0 A **B** C D



PRICE LIST VITESS.1000

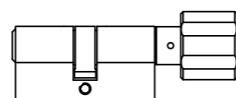
Description	Model	Overall Length	Finishes	2023 List Price (excl VAT)		
				Assembled Price (MK/KA/KD) with 2 Keys	Assembled Price (MK/KA/KD) No Keys	Components (Body & Core Only)

Euro profile Double Cylinders



Euro Profile Double Cylinder	V1L410	60 mm	NI & MS	£60.36	£45.60	£27.10
Euro Profile Double Cylinder	V1L410	65 mm	NI & MS	£64.21	£49.45	£30.95
Euro Profile Double Cylinder	V1L410	70 mm	NI & MS	£68.06	£53.30	£34.80
Euro Profile Double Cylinder	V1L410	75 mm	NI & MS	£71.91	£57.15	£38.65
Euro Profile Double Cylinder	V1L410	80 mm	NI & MS	£75.76	£61.00	£42.50
Euro Profile Double Cylinder	V1L410	85 mm	NI & MS	£79.61	£64.85	£46.35
Euro Profile Double Cylinder	V1L410	90 mm	NI & MS	£83.46	£68.70	£50.20
Euro Profile Double Cylinder	V1L410	95 mm	NI & MS	£87.31	£72.55	£54.05
Euro Profile Double Cylinder	V1L410	100 mm	NI & MS	£91.16	£76.40	£57.90
Euro Profile Double Cylinder	V1L410	105 mm	NI & MS	£95.01	£80.25	£61.75
Euro Profile Double Cylinder	V1L410	110 mm	NI & MS	£98.86	£84.10	£65.60

Euro profile Thumbturn Cylinders

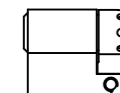


Euro Profile Thumbturn Cylinder	V1L430	60 mm	NI & MS	£62.63	£47.87	£32.83
Euro Profile Thumbturn Cylinder	V1L430	65 mm	NI & MS	£66.48	£51.72	£36.68
Euro Profile Thumbturn Cylinder	V1L430	70 mm	NI & MS	£70.33	£55.57	£40.53
Euro Profile Thumbturn Cylinder	V1L430	75 mm	NI & MS	£74.18	£59.42	£44.38
Euro Profile Thumbturn Cylinder	V1L430	80 mm	NI & MS	£78.03	£63.27	£48.23
Euro Profile Thumbturn Cylinder	V1L430	85 mm	NI & MS	£81.88	£67.12	£52.08
Euro Profile Thumbturn Cylinder	V1L430	90 mm	NI & MS	£85.73	£70.97	£55.93
Euro Profile Thumbturn Cylinder	V1L430	95 mm	NI & MS	£89.58	£74.82	£59.78
Euro Profile Thumbturn Cylinder	V1L430	100 mm	NI & MS	£93.43	£78.67	£63.63
Euro Profile Thumbturn Cylinder	V1L430	105 mm	NI & MS	£97.28	£82.52	£67.48
Euro Profile Thumbturn Cylinder	V1L430	110 mm	NI & MS	£101.13	£86.37	£71.33

PRICE LIST VITESS.1000

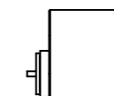
Description	Model	Overall Length	Finishes	2023 List Price (excl VAT)		
				Assembled Price (MK/KA/KD) with 2 Keys	Assembled Price (MK/KA/KD) No Keys	Components (Body & Core Only)

Euro profile Half Cylinders



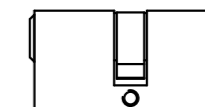
Euro Profile Half Cylinder with 8-fold adjustable cam	V1L452	40 mm	NI & MS	£50.98	£36.22	£21.18
Euro Profile Half Cylinder with 8-fold adjustable cam	V1L452	45 mm	NI & MS	£54.83	£40.07	£25.03
Euro Profile Half Cylinder with 8-fold adjustable cam	V1L452	50 mm	NI & MS	£58.68	£43.92	£28.88
Euro Profile Half Cylinder with 8-fold adjustable cam	V1L452	55 mm	NI & MS	£62.53	£47.77	£32.73
Euro Profile Half Cylinder with 8-fold adjustable cam	V1L452	60 mm	NI & MS	£66.38	£51.62	£36.58
Euro Profile Half Cylinder with 8-fold adjustable cam	V1L452	65 mm	NI & MS	£70.23	£55.47	£40.43

Scandinavian Oval Profile Cylinders



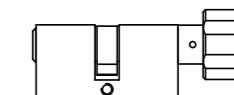
Interior Scandinavian Oval Profile Cylinder	V1L457-1	31 mm	NI & MS	£69.30	£54.54	£39.69
Exterior Scandinavian Oval Profile Cylinder	V1L457-2	31 mm	NI & MS	£69.30	£54.54	£39.69

UK Oval Profile Double Cylinders



UK Oval Profile Double Cylinder	V1L417 3030	60 mm	NI & MS	£73.91	£59.15	£40.65
UK Oval Profile Double Cylinder	V1L417 3535	70 mm	NI & MS	£81.61	£66.85	£48.35
UK Oval Profile Double Cylinder	V1L417 4040	80 mm	NI & MS	£89.31	£74.55	£56.05
UK Oval Profile Double Cylinder	V1L417 4545	90 mm	NI & MS	£97.01	£82.25	£63.75
UK Oval Profile Double Cylinder	V1L417 5050	100 mm	NI & MS	£104.71	£89.95	£71.45

UK Oval Profile Thumbturn Cylinders

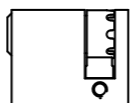


UK Oval Profile Thumbturn Cylinder	V1L437 3030	60 mm	NI & MS	£79.00	£64.24	£49.20
UK Oval Profile Thumbturn Cylinder	V1L437 3535	70 mm	NI & MS	£86.70	£71.94	£56.90
UK Oval Profile Thumbturn Cylinder	V1L437 4040	80 mm	NI & MS	£94.40	£79.64	£64.60
UK Oval Profile Thumbturn Cylinder	V1L437 4545	90 mm	NI & MS	£102.10	£87.34	£72.30
UK Oval Profile Thumbturn Cylinder	V1L437 5050	100 mm	NI & MS	£109.80	£95.04	£80.00

PRICE LIST VITESS.1000

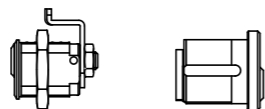
Description	Model	Overall Length	Finishes	2023 List Price (excl VAT)		
				Assembled Price (MK/KA/KD) with 2 Keys	Assembled Price (MK/KA/KD) No Keys	Components (Body & Core Only)

UK Oval Profile Half Cylinders



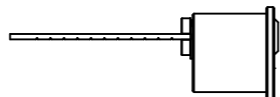
UK Oval Profile Half Cylinder with 8-fold adjustable cam	V1L457 1030	40 mm	NI & MS	£57.05	£42.29	£27.25
UK Oval Profile Half Cylinder with 8-fold adjustable cam	V1L457 1035	45 mm	NI & MS	£60.90	£46.14	£31.10
UK Oval Profile Half Cylinder with 8-fold adjustable cam	V1L457 1040	50 mm	NI & MS	£64.75	£49.99	£34.95
UK Oval Profile Half Cylinder with 8-fold adjustable cam	V1L457 1045	55 mm	NI & MS	£68.60	£53.84	£38.80

Cam & Mortice Profile Cylinders



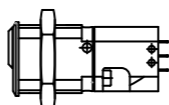
Cam Cylinder Ø 24 mm without Rosette & Cam	V1L456-H24	26,9 mm	NI	£59.83	£45.07	£30.22
Mortice Cylinder Ø 29,2 mm without Rosette	V1L456-SR1	30 mm	NI	£82.77	£68.01	£42.44

UK Rim Profile Cylinders



Rim Cylinder Ø 29.6 mm, with Rosette	V1L454-29,6	25,3 mm	NI & MS	£65.15	£50.39	£35.54
--------------------------------------	-------------	---------	---------	--------	--------	--------

Lift & switch Cylinders



Key-Operated Switch Cylinder Ø 24 mm	V1L456-ES1	51,2 mm	NI	£177.82	£163.06	£148.21
Key-Operated Switch Cylinder Ø 24 mm Rebounded	V1L456-ES2	51,2 mm	NI	£177.82	£163.06	£148.21

Description	Item no.	Cylinder Type	Finishes	2023 List Price (excl VAT)		
				Assembled Price (MK/KA/KD) with 2 Keys	Assembled Price (MK/KA/KD) No Keys	Padlock With Cylinder (Body & Core Only)

83 Padlock Locking Cylinder

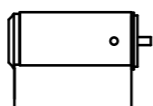
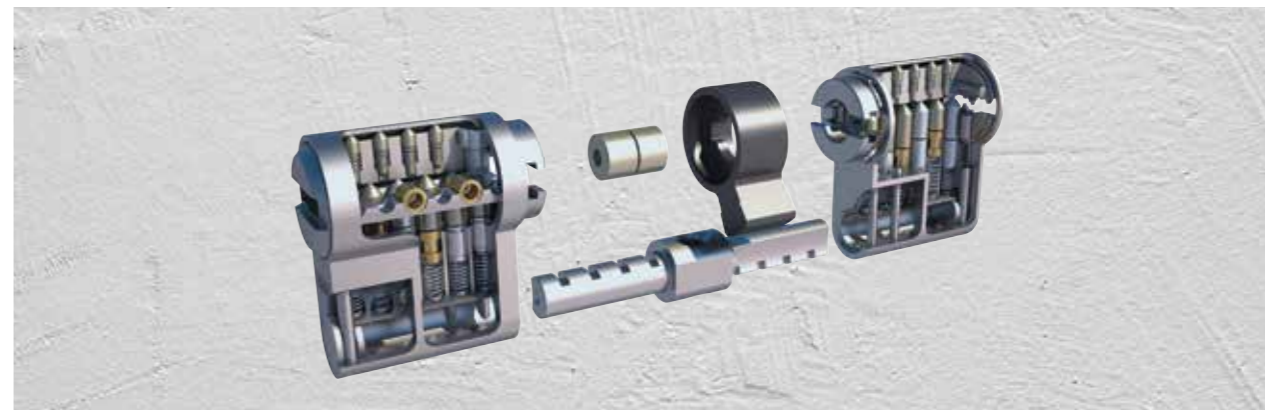
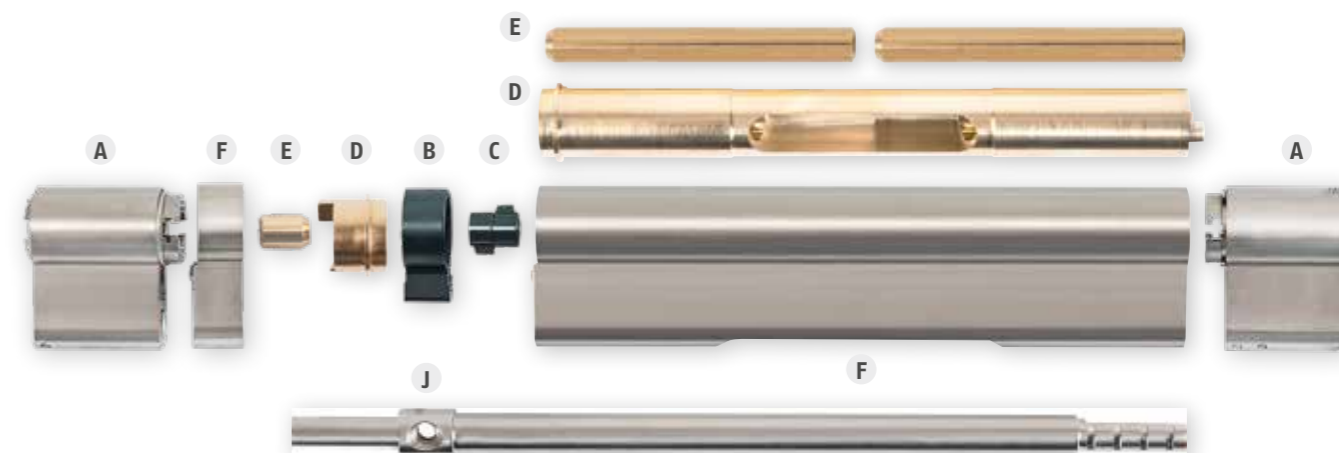
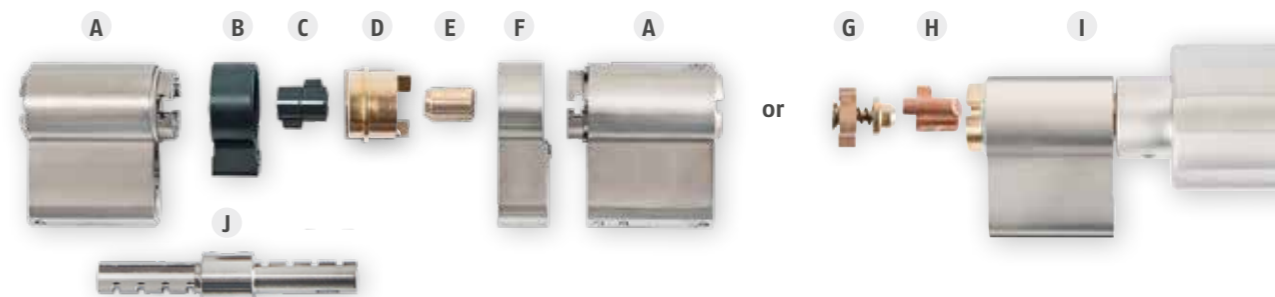


Figure 8 Cylinder for ABUS 83-series padlocks Price does not include the padlock body	V1L492-V83	V1L492-V83	NI	£63.53	£48.77	£33.92
--	------------	------------	----	--------	--------	--------

VITESS.1000 MODULAR MX SYSTEM OPTIONS



Double and thumbturn cylinders



Half cylinders



- A Modular cylinder unit
- B Cam
- C Coupling
- D Core extension
- E Key extension
- F Housing extension
- G Coupling for thumbturn cylinder
- H Thumbturn shaft follower
- I Modular cylinder unit with thumbturn
- J Modular bars
- K Pressure piece
- L Housing closure
- M Mounting screw

VITESS.1000 MODULAR MX SYSTEM OPTIONS

Modular MX



Vitess.1000 Modular MX

Cylinder type	Modular Units Pinned, Excluding Extensions or Web Bars	Model	Finishes	2023 List Price (excl VAT)		
				Assembled Price (MK/KA/KD) with 2 Keys	Assembled Price (MK/KA/KD) No Keys	Components (Body & Core Only)
1 Single Eurocylinder unit	1pc x Modular Keyed Unit, No Coupling or Cam, Vitess	V1L460MX	NI & MS	£53.10	£46.24	£34.67
2 Double Eurocylinder	2pcs x Modular Keyed Units, With Coupling & Cam, Vitess	V1L461MX	NI & MS	£84.21	£77.35	£65.78
3 Thumbturn Eurocylinder	1 Set x Modular Thumbturn/Modular Keyed Unit, Coupling & Cam Vitess	V1L462MX	NI & MS	£82.87	£76.01	£64.45
4 Half Eurocylinder	1pc x Modular Unit With Coupling & Cam (Half Eurocyl.), Vitess	V1L464MX	NI & MS	£71.53	£64.67	£53.11
5 Thumbturn for Eurocylinder	Modular Thumbturn Unit Bravus/Vela	XXX463MX	NI & MS			£27.30
6 Conversion to Half Eurocylinder	Modular Half Eurocylinder Conversion Set W/Out Web Bar	50MXHZBG01	NI & MS			£9.58

VITESS.1000 MODULAR MX SYSTEM OPTIONS


Special Finishes (Modular MX)



Description	Item no.	List Price
Cylinder Finish – Nickel	NI	£0.00
Cylinder Finish – Ultra Black Matte	UMSW	£69.96
Cylinder Finish – Antique Brass	MSA	£69.96
Cylinder Finish – Antique Copper	CUA	£69.96
Cylinder Finish – Dark Nickel	NIA	£69.96
Cylinder Finish – Antique Silver	SIA	£69.96
Cylinder Finish – Matt Black	MASW	£116.65
Cylinder Finish – Black Silver	SISW	£69.96
Cylinder Finish – Brass	MS	£0.00
Cylinder Finish – Polished Gold	AUPO	£21.06
Cylinder Finish – Satin Chrome	CR	£21.06
Cylinder Finish – Polished Chrome	CRGL	£69.96

VITESS.1000 MODULAR MX SYSTEM OPTIONS

Modular MX Kits













Modular MX Kits (Vitess & Zolit)	Item no.	List Price	Example images
Modular kit for Vitess & Zolit	MHU52	£1036.84	
Tray MX up to entire length of 70/70 mm for Vitess & Zolit	MHU503	£894.84	
Tray MX up to entire length of 100/100 mm for Vitess & Zolit	MHU504	£638.41	
Systainer Box for Tray MX	WRBMK_SYSTAIN	£125.62	
Empty Tray MX incl. grey boxes	MHU505	£74.35	
Empty Tray MX	MHU506	£48.72	

MHU52 Modular Kit Contents List (Vitess & Zolit)	Item no.	Quantity
Modular Extension Set Vitess / Zolit 5 mm	50MXVBG05_05	8 pcs
Modular Extension Set Vitess / Zolit 10 mm	50MXVBG05_10	5 pcs
Modular Extension Set Vitess / Zolit 15 mm	50MXVBG05_15	5 pcs
Modular Extension Set Vitess / Zolit 20 mm	50MXVBG05_20	5 pcs
Modular Extension Set Vitess / Zolit 25 mm	50MXVBG05_25	3 pcs
Modular Extension Set Vitess / Zolit 30 mm	50MXVBG05_30	2 pcs
Modular Extension Set Vitess / Zolit 35 mm	50MXVBG05_35	1 pc
Modular Extension Set Vitess / Zolit 40 mm	50MXVBG05_40	1 pc
Modular Web Bar for Half Eurocylinder	50MXSH11	2 pcs
Modular Web Bar for Half Eurocylinder	50MXSH12	1 pc
Modular Web Bar for Half Eurocylinder	50MXSH13	1 pc
Modular Web Bar for Double & Thumbturn Eurocylinder	50MXS11	10 pcs
Modular Web Bar for Double & Thumbturn Eurocylinder	50MXS12	7 pcs
Modular Web Bar for Double & Thumbturn Eurocylinder	50MXS13	2 pcs
Modular Web Bar for Double & Thumbturn Eurocylinder	50MXS14	3 pcs
Modular Web Bar for Double & Thumbturn Eurocylinder	50MXS15	2 pcs
Modular Web Bar for Double & Thumbturn Eurocylinder	50MXS16	2 pcs
50 ml Lock Lubricant Spray Can	PS88	1 pc

PRICE LIST VITESS.1000

Padlock	Insert	Description	Item no.	Cylinder Type	Finishes	2023 List Price (excl VAT)		
						Assembled Price (MK/KA/KD) with 2 Keys	Assembled Price (MK/KA/KD) No Keys	Padlock With Cylinder (Body & Core Only)

Padlocks and locking insert for padlocks

		Padlock with shackle NANO PROTECTED™ 28 mm	V1L480-28	Fixed Core	Chrome	£64.19	£49.43	£34.58
		Padlock with shackle NANO PROTECTED™ 48 mm	V1L480-48	Fixed Core	Chrome	£77.67	£62.91	£48.06
		Padlock with shackle NANO PROTECTED™ 64 mm	V1L480-64	Fixed Core	Chrome	£84.11	£69.35	£54.50
		Padlock with shackle NANO PROTECTED™ 80 mm	V1L480-80	Fixed Core	Chrome	£89.60	£74.84	£59.99
		Padlock, TITALIUM™, Width 45 mm	V1L480-TI45	Fixed Core	TI	£54.17	£39.41	£24.56
		Padlock, TITALIUM™, Width 50 mm	V1L480-TI50	Fixed Core	TI	£57.91	£43.15	£28.30
		Padlock, TITALIUM™, Width 60 mm	V1L480-TI60	Fixed Core	TI	£64.14	£49.38	£34.53
		Padlock Titalium 83AL/40 Black	V1L83AL/40 Black	V1L492-V83	Black	£77.56	£62.80	£47.95
		Padlock Titalium 83AL/40 Blue	V1L83AL/40 Blue	V1L492-V83	Blue	£77.56	£62.80	£47.95
		Padlock Titalium 83AL/40 Green	V1L83AL/40 Green	V1L492-V83	Green	£77.56	£62.80	£47.95
		Padlock Titalium 83AL/40 Red	V1L83AL/40 Red	V1L492-V83	Red	£77.56	£62.80	£47.95

PRICE LIST VITESS.1000

Padlock	Insert	Description	Item no.	Cylinder Type	Finishes	2023 List Price (excl VAT)		
						Assembled Price (MK/KA/KD) with 2 Keys	Assembled Price (MK/KA/KD) No Keys	Padlock With Cylinder (Body & Core Only)
		Padlock Titanium 83AL/40 Silver	V1L83AL/40 silver	V1L492-V83	Silver	£77.56	£62.80	£47.95
		Padlock Titanium 83AL/40 Yellow	V1L83AL/40 Yellow	V1L492-V83	Yellow	£77.56	£62.80	£47.95
		Padlock Brass 83/45	V1L83/45	V1L492-V83	Brass	£84.32	£69.56	£54.71
		Padlock Brass 83/50	V1L83/50	V1L492-V83	Chrome	£94.12	£79.36	£64.51
		Padlock Brass 83CS/50	V1L83CS/50	V1L492-V83	Chrome	£102.24	£87.48	£72.63
		Padlock Brass 83WP/53 Marine	V1L83WP/53	V1L492-V83	Blue	£101.17	£86.41	£71.56
		Padlock Steel 83WP/53 Extreme	V1L83WP/53	V1L492-V83	Black	£90.97	£76.21	£61.36
		Padlock Steel 83WPCS/53 Extreme	V1L83WPCS/53	V1L492-V83	Black	£101.13	£86.37	£71.52









PRICE LIST VITESS.1000

Padlock	Insert	Description	Item no.	Cylinder Type	Finishes	2023 List Price (excl VAT)		
						Assembled Price (MK/KA/KD) with 2 Keys	Assembled Price (MK/KA/KD) No Keys	Padlock With Cylinder (Body & Core Only)
		Padlock Steel 83WP/63 Extreme	V1L83WP/63	V1L492-V83	Black	£96.16	£81.40	£66.55
		Padlock Steel 83/55 Rock	V1L83/55	V1L492-V83	Chrome	£110.27	£95.51	£80.66
		Padlock Steel 83CS/55 Rock	V1L83CS/55	V1L492-V83	Chrome	£120.10	£105.34	£90.49
		Padlock Steel 83/60 Rock	V1L83/60	V1L457-2	Chrome	£126.23	£111.47	£96.62
		Padlock Steel 83/60HB60 Rock	V1L83/60HB60	V1L457-2	Chrome	£129.08	£114.32	£99.47
		Padlock Steel 83/80 Rock	V1L83/80	V1L457-2	Chrome	£175.22	£160.46	£145.61
		Padlock Steel 83/80HB80 Rock	V1L83/80HB80	V1L457-2	Chrome	£175.97	£161.21	£146.36





VITESS



PRICE LIST VITESS.1000

Padlock	Insert	Description	Item no.	Cylinder Type	Finishes	2023 List Price (excl VAT)		
						Assembled Price (MK/KA/KD) with 2 Keys	Assembled Price (MK/KA/KD) No Keys	Padlock With Cylinder (Body & Core Only)
		Padlock Steel 83/80HB100 Rock	V1L83/80HB100	V1L457-2	Chrome	£182.14	£167.38	£152.53
		Padlock Titalium 86TI	V1L86TI/45	V1L452	TI	£84.42	£69.66	£54.62
		Padlock Titalium 86TI	V1L86TI/45	V1L452	TI	£87.78	£73.02	£57.98
		Padlock Titalium 86TI	V1L86TI/45HB80	V1L452	TI	£92.17	£77.41	£62.37
		Padlock Titalium 86TI	V1L86TI/55	V1L452	TI	£86.73	£71.97	£56.93
		Padlock Titalium 86TI	V1L86TIIB/45	V1L452	TI	£89.36	£74.60	£59.56
		Padlock Titalium Marine 90RK	V1L86TI/45HB80	V1L492-V83	TI	£94.02	£79.26	£64.41

PRICE LIST VITESS.1000

Padlock	Insert	Description	Item no.	Cylinder Type	Finishes	2023 List Price (excl VAT)		
						Assembled Price (MK/KA/KD) with 2 Keys	Assembled Price (MK/KA/KD) No Keys	Padlock With Cylinder (Body & Core Only)
		Padlock Steel, 93RK/110 With Half Profile Eurocylinder	V1L93RK/110 EPZ	V1L452	Chrome	£179.11	£164.35	£149.31
		6000PZ/90 Bordo Service Folding Bike Lock	V1L6000PZ/90	V1L452	Black	£137.72	£122.96	£107.92

VITESS



VITESS – KEYS, SPECIAL FUNCTIONS & SURCHARGES

Keys

Keys	Item no.	Finishes	List Price (ex VAT)
Key Blank – Vitess 1000	66V00NOV	Nickel Silver	£4.16
Cut Differ Key – Vitess 1000	66V00NOV-V1L KCD	Nickel Silver	£9.21
Cut Master Key – Vitess 1000	66V00NOV-V1L KCM	Nickel Silver	£11.06
Cut Differ Key Supplied with MK System – Vitess 1000	66V00NOV-V1L MKCD	Nickel Silver	£7.38
Cut Master Key Supplied With MK System – Vitess 1000	66V00NOV-V1L MKCM	Nickel Silver	£9.21

Special Functions & Surcharges

Special Functions & Surcharges	Item no.	Application	List Price (ex VAT)
Emergency Clutch Function <ul style="list-style-type: none"> Only for double cylinders It allows the cylinder to be operated from one side even if a key is inserted on the other side of the cylinder, e.g. in front doors, emergency doors 	GKUP	Eurocylinders	£14.73
Free Wheel Cam With Key Removed <ul style="list-style-type: none"> Only for double and half cylinders in mortice locks with panic function or multipoint locking For all systems incl. emergency function When the keys are taken off on both sides the cylinder cores are not linked torque proof with the cam 	PKUP	Eurocylinders	£14.73
Free Wheel Cam Gear Locks Emergency Exit – FZG <ul style="list-style-type: none"> Free-wheel function for profile double cylinders in emergency exits with gear locks tested according to PIV directive Definition according to DIN 18252: The cam of the profile cylinder can be turned freely when the key is taken out starting at lengths 35-35 (system Bravus starting at lengths 30-30); only applicable to 6-pin systems 	ZKUP	Eurocylinders	£24.94
Free Wheel Limited Function Half Cylinder	F	Half Eurocylinder	£14.73
Classroom Function – Z Turn Eurocylinders <ul style="list-style-type: none"> Key over-rides the turn being held. Cylinder can also be set on-site to restrict the rotation of the turn to either clockwise or anti-clockwise. 	ZKU1	Eurocylinders	£24.94
Key Decoupling of Z Turn Eurocylinders <ul style="list-style-type: none"> Only for thumbturn cylinders Used in public buildings, schools, nurseries By inserting the key on the outside the thumbturn is not able to lock on the inside Any thumbturn shape and finish (standard version: shape Z, Nickel Pearl) 	ZKU2	Eurocylinders	£36.85
Key Decoupling of Red Polyamide Turn (Anti Amok) <ul style="list-style-type: none"> Only for thumbturn cylinders Used in public buildings, schools, nurseries By inserting the key on the outside the thumbturn is not able to lock on the inside With red thumbturn, shape L, polyamide (Anti Amok) 	ZKU3	Eurocylinders	£36.85
EN1303 Class D Attack Resistance <ul style="list-style-type: none"> For doors which need a special protection Two additional hardened steel pins are inserted in the housing and core on each cylinder side Only for double cylinders 6 pin system 	BZD	Eurocylinders	£20.26
Separate Rotation Locking Eurocylinders <ul style="list-style-type: none"> Used when certain sets of keys only get a limited locking function With two sets of keys The first key only operates the latch, the second key operates the latch and the bolt Limited use in locking systems 	FSWS	Eurocylinders	£32.78

VITESS – SPECIAL FUNCTIONS & SURCHARGES, TOOLING & TRAINING

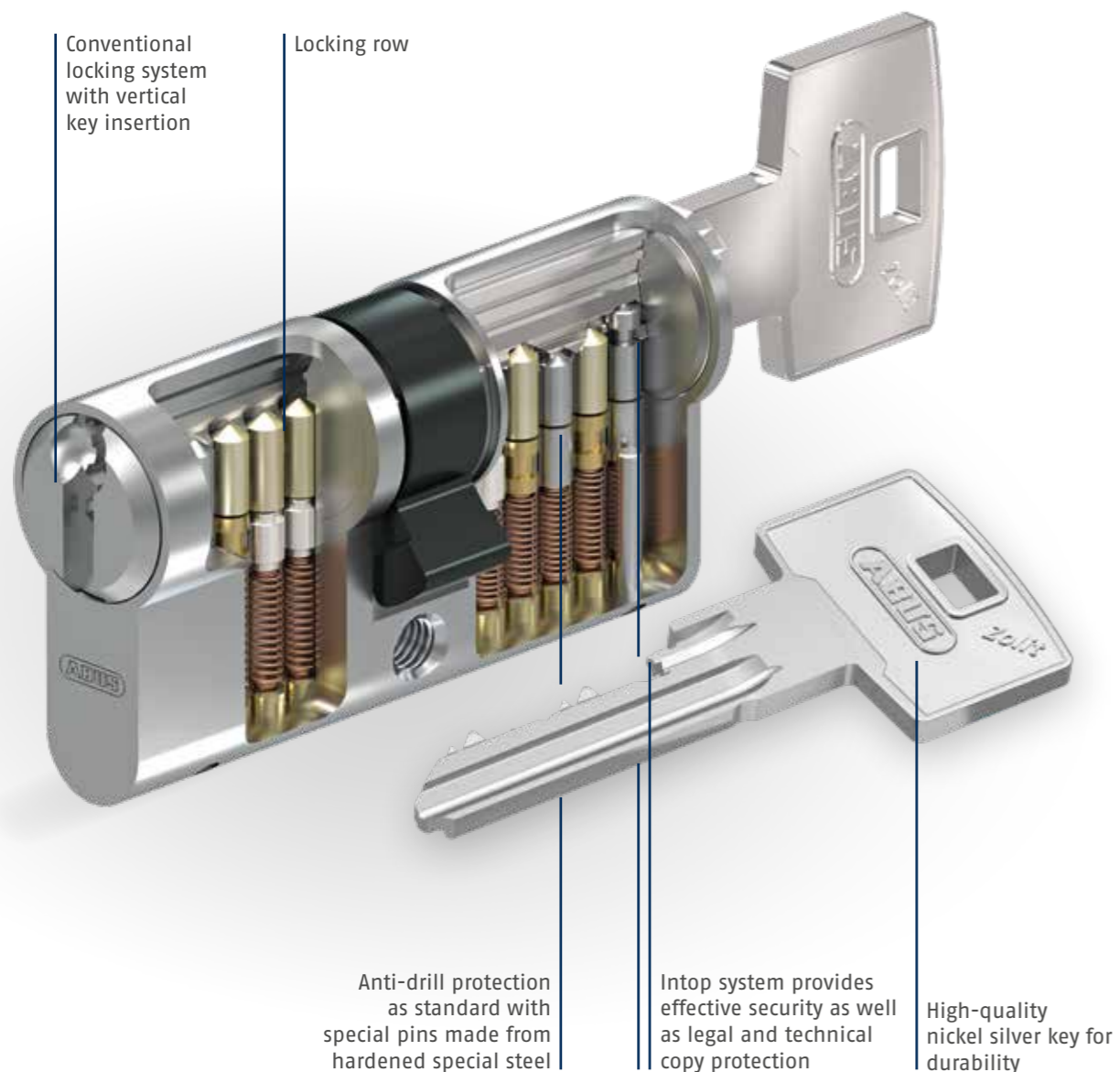
Special Functions & Surcharges	Item no.	Application	List Price (ex VAT)
Secondary Key Set <ul style="list-style-type: none"> After a loss of keys they are no longer authorized to open the cylinder (without change of the cylinder) or if a locking system is already assembled during the construction phase and after the completion of the building the keys of the builder should no longer be authorized to open the cylinders (without change of the cylinder) With two sets of keys After loss of the 1st set of keys the 2nd set is used and can revoke the locking authority of all keys of the 1st set permanently Limited use in locking systems 	FZSS	Eurocylinders	£31.22
Increased Picking Protection	PS	All Cylinders	£26.74
Pre-Snap for eurocylinders	BR09	Eurocylinders	£5.82
Strong Drill Protection <ul style="list-style-type: none"> Profile cylinders: all systems, special cylinders: on demand For doors which need a special protection Two additional hardened steel pins in the housing and core plus one steel pin on the face of the housing on each locking side 	BS04	Eurocylinders	£36.85
Salt Water Resistance <ul style="list-style-type: none"> For the use in maritime climate or saline atmosphere Housing, cores and thumbturn in brass, nickel-plated Protection measures against corrosion for all functional parts Combinations with other special features can be restricted The special feature has been tested in climate and salt mist test according to DIN 50021SS regarding corrosion resistance 	SA01	All Cylinders	£23.49
Cylinder Build Surcharge (All Systems, except Bravus)	BUILD	All Cylinders	£11.56

Tooling & Training

Pinning Kits & Training	Item no.	Application	List Price (ex VAT)
Assembly Tool Kit (Zolit & Vitess)	MHG01	Tooling	£966.30
Pinning Kit KD/KA/MK (Zolit & Vitess)	MHU01	Tooling	£1,300.94
Cylinder Assembly Training		Training	£299.99
OBS Training		Training	£299.99

ZOLIT.1000

Overview



TECHNICAL DETAILS

In detail

System:	Zolit.1000
Key:	Stable, multiple paracentric key made from hard-wearing nickel silver
Key insertion:	Vertical
Patent protection*:	✓
Trademark protection:	✓
Copy protection:	Intop system verifies locking authorisation both inside the cylinder and on the key
Locking rows:	1
Total locking elements:	6
Modular design:	Optional
Minimum length:	30/30 mm for Euro profile double cylinders
Length increments:	Extensions available in 5 mm increments
Security card:	✓
Key related security:	Class 6 in accordance with DIN EN 1303, details available on request
Attack resistance:	Class B Class D if special features anti-drill and extraction protection "BZD"
Fire resistance:	Class B, T90
Product certification:	Certified to DIN 18252 and DIN EN 1303 standards Optional, for example SKG***, details available on request
Manufacturer certification:	ISO 9001
Production:	Made in Germany

CLASSIFICATION NORM EN1303:2015- 08

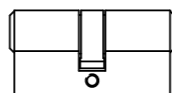
Lock security: 1 2 3 4 5 **6** Durability: 1 2 3 4 5 **6** Fire resistance: 0 A **B** Corrosion resistance: 0 A B **C** Attack resistance: 0 A **B** C D



PRICE LIST ZOLIT.1000

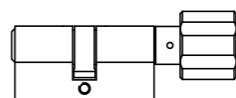
Description	Model	Overall Length	Finishes	2023 List Price (excl VAT)		
				Assembled Price (MK/KA/KD) with 2 Keys	Assembled Price (MK/KA/KD) No Keys	Components (Body & Core Only)

Euro profile Double Cylinders



Euro Profile Double Cylinder	Z1L410	60 mm	NI & MS	£54.99	£40.23	£24.60
Euro Profile Double Cylinder	Z1L410	65 mm	NI & MS	£58.84	£44.08	£28.45
Euro Profile Double Cylinder	Z1L410	70 mm	NI & MS	£62.69	£47.93	£32.30
Euro Profile Double Cylinder	Z1L410	75 mm	NI & MS	£66.54	£51.78	£36.15
Euro Profile Double Cylinder	Z1L410	80 mm	NI & MS	£70.39	£55.63	£40.00
Euro Profile Double Cylinder	Z1L410	85 mm	NI & MS	£74.24	£59.48	£43.85
Euro Profile Double Cylinder	Z1L410	90 mm	NI & MS	£78.09	£63.33	£47.70
Euro Profile Double Cylinder	Z1L410	95 mm	NI & MS	£81.94	£67.18	£51.55
Euro Profile Double Cylinder	Z1L410	100 mm	NI & MS	£85.79	£71.03	£55.40
Euro Profile Double Cylinder	Z1L410	105 mm	NI & MS	£89.64	£74.88	£59.25
Euro Profile Double Cylinder	Z1L410	110 mm	NI & MS	£93.49	£78.73	£63.10

Euro profile Thumbturn Cylinders

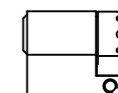


Euro Profile Thumbturn Cylinder	Z1L430	60 mm	NI & MS	£59.94	£45.18	£31.58
Euro Profile Thumbturn Cylinder	Z1L430	65 mm	NI & MS	£63.79	£49.03	£35.43
Euro Profile Thumbturn Cylinder	Z1L430	70 mm	NI & MS	£67.64	£52.88	£39.28
Euro Profile Thumbturn Cylinder	Z1L430	75 mm	NI & MS	£71.49	£56.73	£43.13
Euro Profile Thumbturn Cylinder	Z1L430	80 mm	NI & MS	£75.34	£60.58	£46.98
Euro Profile Thumbturn Cylinder	Z1L430	85 mm	NI & MS	£79.19	£64.43	£50.83
Euro Profile Thumbturn Cylinder	Z1L430	90 mm	NI & MS	£83.04	£68.28	£54.68
Euro Profile Thumbturn Cylinder	Z1L430	95 mm	NI & MS	£86.89	£72.13	£58.53
Euro Profile Thumbturn Cylinder	Z1L430	100 mm	NI & MS	£90.74	£75.98	£62.38
Euro Profile Thumbturn Cylinder	Z1L430	105 mm	NI & MS	£94.59	£79.83	£66.23
Euro Profile Thumbturn Cylinder	Z1L430	110 mm	NI & MS	£98.44	£83.68	£70.08

PRICE LIST ZOLIT.1000

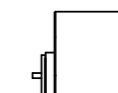
Description	Model	Overall Length	Finishes	2023 List Price (excl VAT)		
				Assembled Price (MK/KA/KD) with 2 Keys	Assembled Price (MK/KA/KD) No Keys	Components (Body & Core Only)

Euro profile Half Cylinders



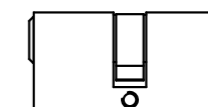
Euro Profile Half Cylinder with 8-fold adjustable cam	Z1L452	40 mm	NI & MS	£48.29	£33.53	£19.93
Euro Profile Half Cylinder with 8-fold adjustable cam	Z1L452	45 mm	NI & MS	£52.14	£37.38	£23.78
Euro Profile Half Cylinder with 8-fold adjustable cam	Z1L452	50 mm	NI & MS	£55.99	£41.23	£27.63
Euro Profile Half Cylinder with 8-fold adjustable cam	Z1L452	55 mm	NI & MS	£59.84	£45.08	£31.48
Euro Profile Half Cylinder with 8-fold adjustable cam	Z1L452	60 mm	NI & MS	£63.69	£48.93	£35.33
Euro Profile Half Cylinder with 8-fold adjustable cam	Z1L452	65 mm	NI & MS	£67.54	£52.78	£39.18

Scandinavian Oval Profile Cylinders



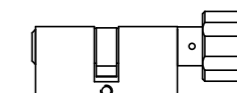
Interior Scandinavian Oval Profile Cylinder	Z1L457-1	31 mm	NI & MS	£63.00	£48.24	£34.83
Exterior Scandinavian Oval Profile Cylinder	Z1L457-2	31 mm	NI & MS	£63.00	£48.24	£34.83

UK Oval Profile Double Cylinders



UK Oval Profile Double Cylinder	Z1L417 3030	60 mm	NI & MS	£68.54	£53.78	£38.15
UK Oval Profile Double Cylinder	Z1L417 3535	70 mm	NI & MS	£76.24	£61.48	£45.85
UK Oval Profile Double Cylinder	Z1L417 4040	80 mm	NI & MS	£83.94	£69.18	£53.55
UK Oval Profile Double Cylinder	Z1L417 4545	90 mm	NI & MS	£91.64	£76.88	£61.25
UK Oval Profile Double Cylinder	Z1L417 5050	100 mm	NI & MS	£99.34	£84.58	£68.95

UK Oval Profile Thumbturn Cylinders

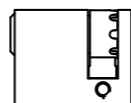


UK Oval Profile Thumbturn Cylinder	Z1L437 3030	60 mm	NI & MS	£76.31	£61.55	£47.95
UK Oval Profile Thumbturn Cylinder	Z1L437 3535	70 mm	NI & MS	£84.01	£69.25	£55.65
UK Oval Profile Thumbturn Cylinder	Z1L437 4040	80 mm	NI & MS	£91.71	£76.95	£63.35
UK Oval Profile Thumbturn Cylinder	Z1L437 4545	90 mm	NI & MS	£99.41	£84.65	£71.05
UK Oval Profile Thumbturn Cylinder	Z1L437 5050	100 mm	NI & MS	£107.11	£92.35	£78.75

PRICE LIST ZOLIT.1000

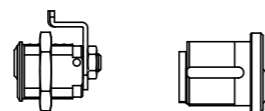
Description	Model	Overall Length	Finishes	2023 List Price (excl VAT)		
				Assembled Price (MK/KA/KD) with 2 Keys	Assembled Price (MK/KA/KD) No Keys	Components (Body & Core Only)

UK Oval Profile Half Cylinders



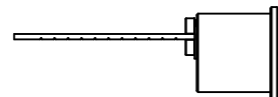
UK Oval Profile Half Cylinder with 8-fold adjustable cam	Z1L457 1030	40 mm	NI & MS	£54.36	£39.60	£26.00
UK Oval Profile Half Cylinder with 8-fold adjustable cam	Z1L457 1035	45 mm	NI & MS	£58.21	£43.45	£29.85
UK Oval Profile Half Cylinder with 8-fold adjustable cam	Z1L457 1040	50 mm	NI & MS	£62.06	£47.30	£33.70
UK Oval Profile Half Cylinder with 8-fold adjustable cam	Z1L457 1045	55 mm	NI & MS	£65.91	£51.15	£37.55

Cam & Mortice Profile Cylinders



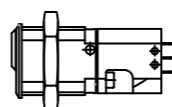
Cam Cylinder Ø 24 mm without Rosette & Cam	Z1L456-H24	26,9 mm	NI	£52.88	£38.12	£24.71
Mortice Cylinder Ø 29,2 mm without Rosette	Z1L456-SR1	30 mm	NI	£77.91	£63.15	£39.02

UK Rim Profile Cylinders



Rim Cylinder Ø 29.6 mm, with Rosette	Z1L454-29,6	25,3 mm	NI & MS	£58.85	£44.09	£30.68
--------------------------------------	-------------	---------	---------	--------	--------	--------

Lift & switch Cylinders



Key-Operated Switch Cylinder Ø 24 mm	Z1L456-ES1	51,2 mm	NI	£170.57	£155.81	£142.40
Key-Operated Switch Cylinder Ø 24 mm Rebounded	Z1L456-ES2	51,2 mm	NI	£170.57	£155.81	£142.40

Description	Item no.	Cylinder Type	Finishes	2023 List Price (excl VAT)		
				Assembled Price (MK/KA/KD) with 2 Keys	Assembled Price (MK/KA/KD) No Keys	Padlock With Cylinder (Body & Core Only)

83 Padlock Locking Cylinder

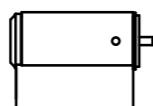
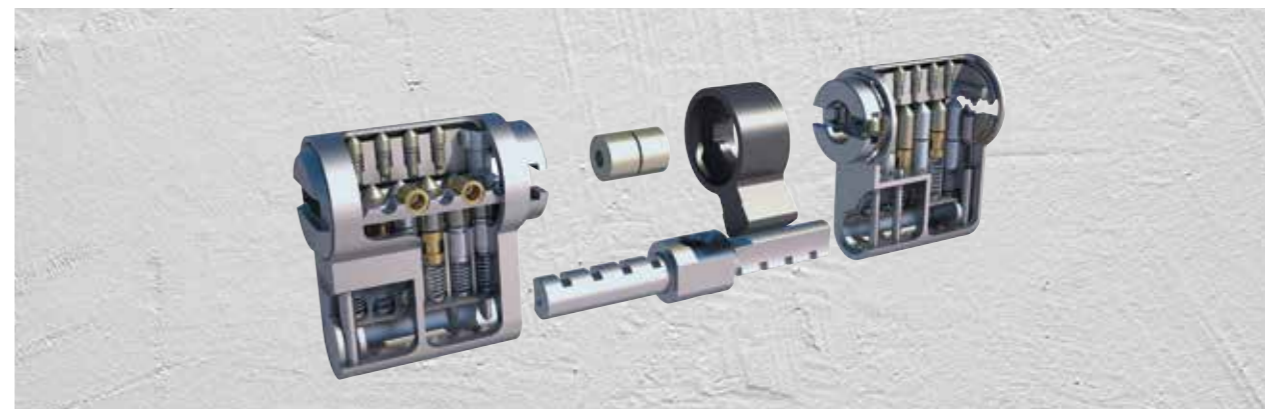
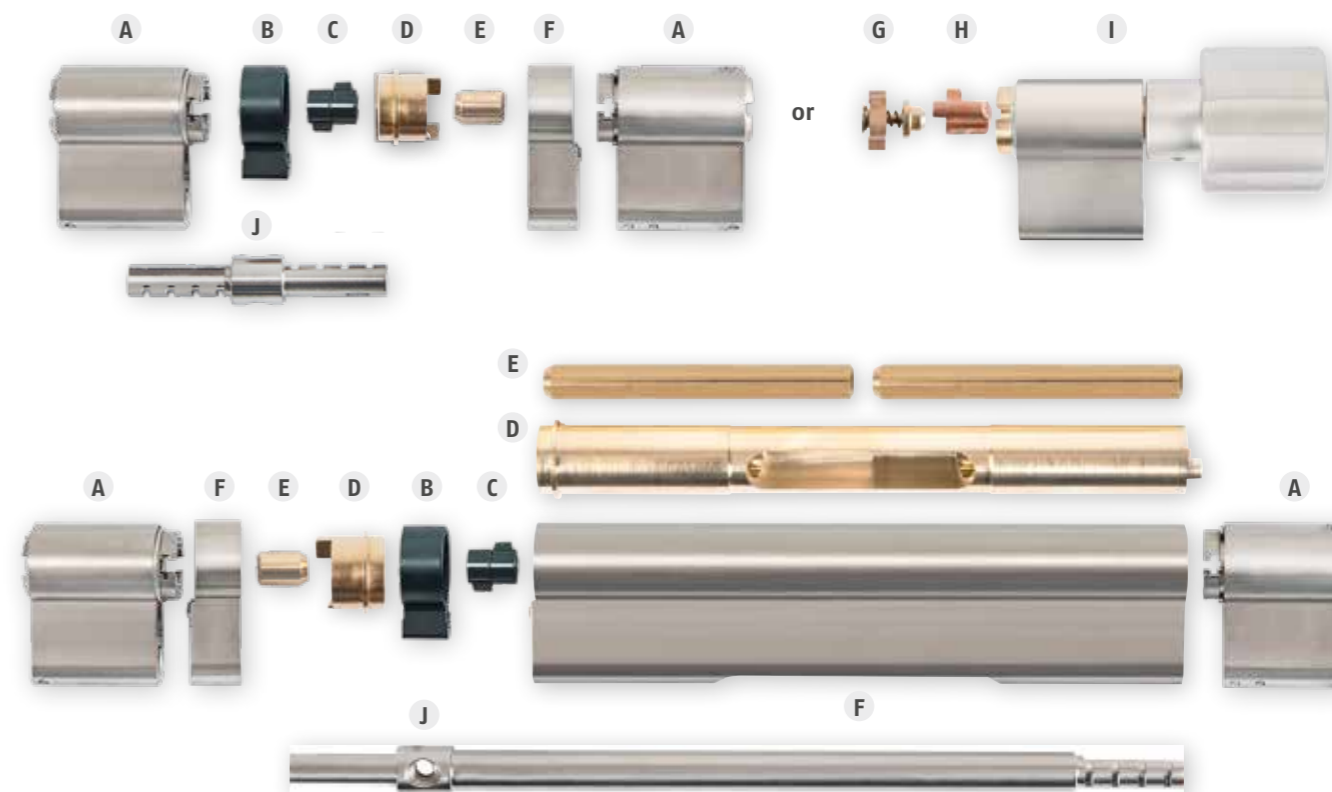


Figure 8 Cylinder for ABUS 83-series padlocks Price does not include the padlock body	Z1L492-V83	Z1L492-V83	NI	£62.09	£47.33	£33.92
--	------------	------------	----	--------	--------	--------

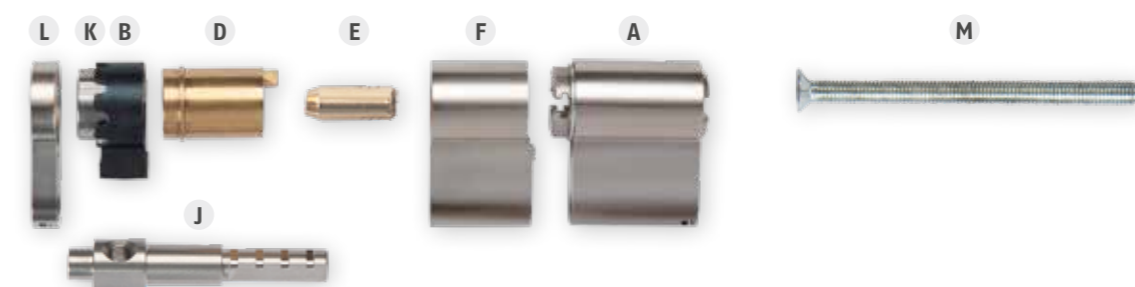
ZOLIT.1000 MODULAR MX SYSTEM OPTIONS



Double and thumbturn cylinders



Half cylinders



- A Modular cylinder unit
- B Cam
- C Coupling
- D Core extension
- E Key extension
- F Housing extension
- G Coupling for thumbturn cylinder
- H Thumbturn shaft follower
- I Modular cylinder unit with thumbturn
- J Modular bars
- K Pressure piece
- L Housing closure
- M Mounting screw

ZOLIT.1000 MODULAR MX SYSTEM OPTIONS

Modular MX



Zolit.1000 Modular MX

Cylinder type	Modular Units Pinned, Excluding Extensions or Web Bars	Model	Finishes	2023 List Price (excl VAT)		
				Assembled Price (MK/KA/KD) with 2 Keys	Assembled Price (MK/KA/KD) No Keys	Components (Body & Core Only)
1 Single Eurocylinder unit	1pc x Modular Keyed Unit, No Coupling or Cam, Zolit	Z1L460MX	NI & MS	£51.35	£44.49	£32.92
2 Double Eurocylinder	2pcs x Modular Keyed Units, With Coupling & Cam, Zolit	Z1L461MX	NI & MS	£80.71	£73.85	£61.64
3 Thumbturn Eurocylinder	1 Set x Modular Thumbturn/Modular Keyed Unit, Coupling & Cam Zolit	Z1L462MX	NI & MS	£81.12	£74.26	£62.70
4 Half Eurocylinder	1pc x Modular Unit With Coupling & Cam (Half Eurocycl.), Zolit	Z1L464MX	NI & MS	£69.78	£62.92	£51.36
5 Thumbturn for Eurocylinder	Modular Thumbturn Unit Bravus/Vela	XXX463MX	NI & MS			£29.78
6 Conversion to Half Eurocylinder	Modular Half Eurocylinder Conversion Set W/Out Web Bar	50MXHZBG01	NI & MS			£9.58

ZOLIT.1000 MODULAR MX SYSTEM OPTIONS


Special Finishes (Modular MX)



Description	Item no.	List Price
Cylinder Finish – Nickel	NI	£0.00
Cylinder Finish – Ultra Black Matte	UMSW	£69.96
Cylinder Finish – Antique Brass	MSA	£69.96
Cylinder Finish – Antique Copper	CUA	£69.96
Cylinder Finish – Dark Nickel	NIA	£69.96
Cylinder Finish – Antique Silver	SIA	£69.96
Cylinder Finish – Matt Black	MASW	£116.65
Cylinder Finish – Black Silver	SISW	£69.96
Cylinder Finish – Brass	MS	£0.00
Cylinder Finish – Polished Gold	AUPO	£21.06
Cylinder Finish – Satin Chrome	CR	£21.06
Cylinder Finish – Polished Chrome	CRGL	£69.96

ZOLIT.1000 MODULAR MX SYSTEM OPTIONS

Modular MX Kits













Modular MX Kits (Vitess & Zolit)	Item no.	List Price	Example images
Modular kit for Vitess & Zolit	MHU52	£1036.84	
Tray MX up to entire length of 70/70 mm for Vitess & Zolit	MHU503	£894.84	
Tray MX up to entire length of 100/100 mm for Vitess & Zolit	MHU504	£638.41	
Systainer Box for Tray MX	WRBMK_SYSTAIN	£125.62	
Empty Tray MX incl. grey boxes	MHU505	£74.35	
Empty Tray MX	MHU506	£48.72	

MHU52 Modular Kit Contents List (Vitess & Zolit)	Item no.	Quantity
Modular Extension Set Vitess / Zolit 5 mm	50MXVBG05_05	8 pcs
Modular Extension Set Vitess / Zolit 10 mm	50MXVBG05_10	5 pcs
Modular Extension Set Vitess / Zolit 15 mm	50MXVBG05_15	5 pcs
Modular Extension Set Vitess / Zolit 20 mm	50MXVBG05_20	5 pcs
Modular Extension Set Vitess / Zolit 25 mm	50MXVBG05_25	3 pcs
Modular Extension Set Vitess / Zolit 30 mm	50MXVBG05_30	2 pcs
Modular Extension Set Vitess / Zolit 35 mm	50MXVBG05_35	1 pc
Modular Extension Set Vitess / Zolit 40 mm	50MXVBG05_40	1 pc
Modular Web Bar for Half Eurocylinder	50MXSH11	2 pcs
Modular Web Bar for Half Eurocylinder	50MXSH12	1 pc
Modular Web Bar for Half Eurocylinder	50MXSH13	1 pc
Modular Web Bar for Double & Thumbturn Eurocylinder	50MXS11	10 pcs
Modular Web Bar for Double & Thumbturn Eurocylinder	50MXS12	7 pcs
Modular Web Bar for Double & Thumbturn Eurocylinder	50MXS13	2 pcs
Modular Web Bar for Double & Thumbturn Eurocylinder	50MXS14	3 pcs
Modular Web Bar for Double & Thumbturn Eurocylinder	50MXS15	2 pcs
Modular Web Bar for Double & Thumbturn Eurocylinder	50MXS16	2 pcs
50 ml Lock Lubricant Spray Can	PS88	1 pc

PRICE LIST ZOLIT.1000

Padlock	Insert	Description	Item no.	Cylinder Type	Finishes	2023 List Price (excl VAT)		
						Assembled Price (MK/KA/KD) with 2 Keys	Assembled Price (MK/KA/KD) No Keys	Padlock With Cylinder (Body & Core Only)

Padlocks and locking insert for padlocks

		Padlock with shackle NANO PROTECTED™ 28 mm	Z1L480-28	Fixed Core	Chrome	£62.75	£47.99	£34.58
		Padlock with shackle NANO PROTECTED™ 48 mm	Z1L480-48	Fixed Core	Chrome	£76.23	£61.47	£48.06
		Padlock with shackle NANO PROTECTED™ 64 mm	Z1L480-64	Fixed Core	Chrome	£82.67	£67.91	£54.50
		Padlock with shackle NANO PROTECTED™ 80 mm	Z1L480-80	Fixed Core	Chrome	£88.16	£73.40	£59.99
		Padlock, TITALIUM™, Width 45 mm	Z1L480-TI45	Fixed Core	TI	£52.73	£37.97	£24.56
		Padlock, TITALIUM™, Width 50 mm	Z1L480-TI50	Fixed Core	TI	£56.47	£41.71	£28.30
		Padlock, TITALIUM™, Width 60 mm	Z1L480-TI60	Fixed Core	TI	£62.70	£47.94	£34.53
		Padlock Titalium 83AL/40 Black	Z1L83AL/40 Black	Z1L492-V83	Black	£76.12	£61.36	£47.95
		Padlock Titalium 83AL/40 Blue	Z1L83AL/40 Blue	Z1L492-V83	Blue	£76.12	£61.36	£47.95
		Padlock Titalium 83AL/40 Green	Z1L83AL/40 Green	Z1L492-V83	Green	£76.12	£61.36	£47.95
		Padlock Titalium 83AL/40 Red	Z1L83AL/40 Red	Z1L492-V83	Red	£76.12	£61.36	£47.95

PRICE LIST ZOLIT.1000

Padlock	Insert	Description	Item no.	Cylinder Type	Finishes	2023 List Price (excl VAT)		
						Assembled Price (MK/KA/KD) with 2 Keys	Assembled Price (MK/KA/KD) No Keys	Padlock With Cylinder (Body & Core Only)
		Padlock Titanium 83AL/40 Silver	Z1L83AL/40 Silver	Z1L492-V83	Silver	£76.12	£61.36	£47.95
		Padlock Titanium 83AL/40 Yellow	Z1L83AL/40 Yellow	Z1L492-V83	Yellow	£76.12	£61.36	£47.95
		Padlock Brass 83/45	Z1L83/45	Z1L492-V83	Brass	£82.88	£68.12	£54.71
		Padlock Brass 83/50	Z1L83/50	Z1L492-V83	Chrome	£92.68	£77.92	£64.51
		Padlock Brass 83CS/50	Z1L83CS/50	Z1L492-V83	Chrome	£100.80	£86.04	£72.63
		Padlock Brass 83WPIB/53 Marine	Z1L83WPIB/53	Z1L492-V83	Blue	£99.73	£84.97	£71.56
		Padlock Steel 83WP/53 Extreme	Z1L83WP/53	Z1L492-V83	Black	£89.53	£74.77	£61.36
		Padlock Steel 83WPCS/53 Extreme	Z1L83WPCS/53	Z1L492-V83	Black	£99.69	£84.93	£71.52




PRICE LIST ZOLIT.1000

Padlock	Insert	Description	Item no.	Cylinder Type	Finishes	2023 List Price (excl VAT)		
						Assembled Price (MK/KA/KD) with 2 Keys	Assembled Price (MK/KA/KD) No Keys	Padlock With Cylinder (Body & Core Only)
		Padlock Steel 83WP/63 Extreme	Z1L83WP/63	Z1L492-V83	Black	£94.72	£79.96	£66.55
		Padlock Steel 83/55 Rock	Z1L83/55	Z1L492-V83	Chrome	£108.83	£94.07	£80.66
		Padlock Steel 83CS/55 Rock	Z1L83CS/55	Z1L492-V83	Chrome	£118.66	£103.90	£90.49
		Padlock Steel 83/60 Rock	Z1L83/60	Z1L457-2	Chrome	£119.93	£105.17	£91.76
		Padlock Steel 83/60HB60 Rock	Z1L83/60HB60	Z1L457-2	Chrome	£122.78	£108.02	£94.61
		Padlock Steel 83/80 Rock	Z1L83/80	Z1L457-2	Chrome	£168.92	£154.16	£140.75
		Padlock Steel 83/80HB80 Rock	Z1L83/80HB80	Z1L457-2	Chrome	£169.67	£154.91	£141.50

ZOLIT



PRICE LIST ZOLIT.1000

Padlock	Insert	Description	Item no.	Cylinder Type	Finishes	2023 List Price (excl VAT)		
						Assembled Price (MK/KA/KD) with 2 Keys	Assembled Price (MK/KA/KD) No Keys	Padlock With Cylinder (Body & Core Only)
		Padlock Steel 83/80HB100 Rock	Z1L83/80HB100	Z1L457-2	Chrome	£175.84	£161.08	£147.67
		Padlock Titalium 86TI	Z1L86TI/45	Z1L452	TI	£81.73	£66.97	£53.37
		Padlock Titalium 86TI	Z1L86TI/45HB80	Z1L452	TI	£85.09	£70.33	£56.73
		Padlock Titalium 86TI	Z1L86TI/55	Z1L452	TI	£89.48	£74.72	£61.12
		Padlock Titalium 86TI	Z1L86TIIB/45	Z1L452	TI	£84.04	£69.28	£55.68
		Padlock Titalium 86TI	Z1L86TI/45HB80	Z1L452	TI	£86.67	£71.91	£58.31
		Padlock Titalium Marine 90RK	Z1L90RK/50	Z1L492-V83	TI	£92.58	£77.82	£64.41

PRICE LIST ZOLIT.1000

Padlock	Insert	Description	Item no.	Cylinder Type	Finishes	2023 List Price (excl VAT)		
						Assembled Price (MK/KA/KD) with 2 Keys	Assembled Price (MK/KA/KD) No Keys	Padlock With Cylinder (Body & Core Only)
		Padlock Steel, 93RK/110 With Half Profile Eurocylinder	Z1L93RK/110 EPZ	Z1L452	Chrome	£176.42	£161.66	£148.06
		6000PZ/90 Bordo Service Folding Bike Lock	Z1L6000PZ/90	Z1L452	Black	£135.03	£120.27	£106.67

ZOLIT



ZOLIT – KEYS, SPECIAL FUNCTIONS & SURCHARGES

Keys

Keys	Item no.	Finishes	List Price (ex VAT)
Key Blank – Zolit 1000	66X00N0V	Nickel Silver	£3.72
Cut Differ Key – Zolit 1000	66X00N0V-Z1L KCD	Nickel Silver	£9.21
Cut Master key – Zolit 1000	66X00N0V-Z1L KCM	Nickel Silver	£11.06
Cut Differ Key Supplied with MK System – Zolit 1000	66X00N0V-Z1L MKCD	Nickel Silver	£7.38
Cut Master key Supplied with MK System – Zolit 1000	66X00N0V-Z1L MKCM	Nickel Silver	£9.21

Special Functions & Surcharges

Special Functions & Surcharges	Item no.	Application	List Price (ex VAT)
Emergency Clutch Function <ul style="list-style-type: none"> Only for double cylinders It allows the cylinder to be operated from one side even if a key is inserted on the other side of the cylinder, e.g. in front doors, emergency doors 	GKUP	Eurocylinders	£14.73
Free Wheel Cam With Key Removed <ul style="list-style-type: none"> Only for double and half cylinders in mortice locks with panic function or multipoint locking For all systems incl. emergency function When the keys are taken off on both sides the cylinder cores are not linked torque proof with the cam 	PKUP	Eurocylinders	£14.73
Free Wheel Cam Gear Locks Emergency Exit – FZG <ul style="list-style-type: none"> Free-wheel function for profile double cylinders in emergency exits with gear locks tested according to PIV directive Definition according to DIN 18252: The cam of the profile cylinder can be turned freely when the key is taken out Starting at lengths 35-35 (system Bravus starting at lengths 30-30); only applicable to 6-pin systems 	ZKUP	Eurocylinders	£24.94
Free Wheel Limited Function Half Cylinder	F	Half Eurocylinder	£14.73
Classroom Function – Z Turn Eurocylinders <ul style="list-style-type: none"> Key over-rides the turn being held. Cylinder can also be set on-site to restrict the rotation of the turn to either clockwise or anti-clockwise. 	ZKU1	Eurocylinders	£24.94
Key Decoupling of Z Turn Eurocylinders <ul style="list-style-type: none"> Only for thumbturn cylinders Used in public buildings, schools, nurseries By inserting the key on the outside the thumbturn is not able to lock on the inside Any thumbturn shape and finish (standard version: shape Z, Nickel Pearl) 	ZKU2	Eurocylinders	£36.85
Key Decoupling of Red Polyamide Turn (Anti Amok) <ul style="list-style-type: none"> Only for thumbturn cylinders Used in public buildings, schools, nurseries By inserting the key on the outside the thumbturn is not able to lock on the inside With red thumbturn, shape L, polyamide (Anti Amok) 	ZKU3	Eurocylinders	£36.85
EN1303 Class D Attack Resistance <ul style="list-style-type: none"> For doors which need a special protection Two additional hardened steel pins are inserted in the housing and core on each cylinder side Only for double cylinders 6 pin system 	BZD	Eurocylinders	£20.26
Separate Rotation Locking Eurocylinders <ul style="list-style-type: none"> Used when certain sets of keys only get a limited locking function With two sets of keys The first key only operates the latch, the second key operates the latch and the bolt Limited use in locking systems 	FSWS	Eurocylinders	£32.78

ZOLIT – SPECIAL FUNCTIONS & SURCHARGES, TOOLING & TRAINING

Special Functions & Surcharges	Item no.	Application	List Price (ex VAT)
Secondary Key Set <ul style="list-style-type: none"> After a loss of keys they are no longer authorized to open the cylinder (without change of the cylinder) or if a locking system is already assembled during the construction phase and after the completion of the building the keys of the builder should no longer be authorized to open the cylinders (without change of the cylinder) With two sets of keys After loss of the 1st set of keys the 2nd set is used and can revoke the locking authority of all keys of the 1st set permanently Limited use in locking systems 	FZSS	Eurocylinders	£31.22
Increased Picking Protection	PS	All Cylinders	£26.74
Pre-Snap for eurocylinders	BR09	Eurocylinders	£5.82
Strong Drill Protection <ul style="list-style-type: none"> Profile cylinders: all systems, special cylinders: on demand For doors which need a special protection Two additional hardened steel pins in the housing and core plus one steel pin on the face of the housing on each locking side 	BS04	Eurocylinders	£36.85
Salt Water Resistance <ul style="list-style-type: none"> For the use in maritime climate or saline atmosphere Housing, cores and thumbturn in brass, nickel-plated Protection measures against corrosion for all functional parts Combinations with other special features can be restricted The special feature has been tested in climate and salt mist test according to DIN 50021SS regarding corrosion resistance 	SA01	All Cylinders	£23.49
Cylinder Build Surcharge (All Systems, except Bravus)	BUILD	All Cylinders	£11.56

Tooling & Training

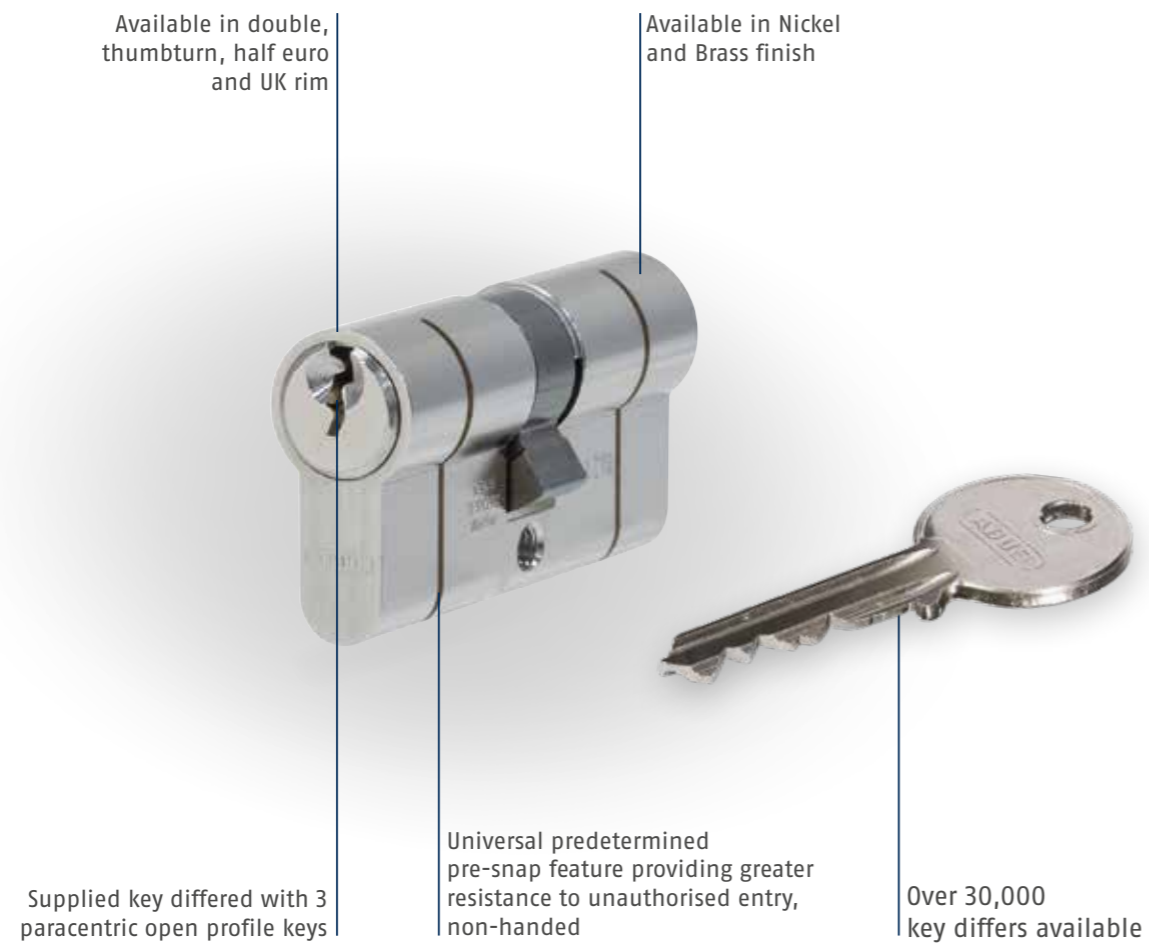
Pinning Kits & Training	Item no.	Application	List Price (ex VAT)
Assembly Tool Kit (Zolit & Vitess)	MHG01	Tooling	£966.30
Pinning Kit KD/KA/MK (Zolit & Vitess)	MHU01	Tooling	£1,300.94
Cylinder Assembly Training		Training	£299.99
OBS Training		Training	£299.99

E50PS

Overview

TECHNICAL DETAILS

In detail

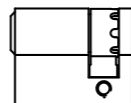


System:	E50PS
Key:	Stable, multiple paracentric key made from hard-wearing nickel silver
Key insertion:	Vertical
Locking rows:	1
Total locking elements:	5 Pins
Minimum length:	10/30 mm
Length increments:	Extensions available in 5 mm increments
Security card:	✓
Product certification:	Made in accordance with EN1303
Manufacturer certification:	ISO 9001

PRICE LIST E50PS

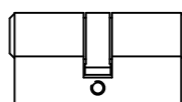
Description	Item no.	Reference	Cylinder Size (mm)	2023 List Price (excl VAT) Boxed Master Keyed 2 Keys	2023 List Price (excl VAT) Boxed Keyed Alike 2 Keys	2023 List Price (excl VAT) Blister Packed Key Differed 3 Keys
-------------	----------	-----------	--------------------	--	---	---

Half Eurocylinders



Door Eurocylinder Half Brass	85159	E50PSMM 10/30 B Blister Packed	10/30	£15.66	£12.38	£10.20
Door Eurocylinder Half Nickel	85131	E50PSN 10/30 B Blister Packed	10/30	£10.20	£10.20	£10.20
Door Eurocylinder Half Nickel	85132	E50PSN 10/35 B Blister Packed	10/35	£11.34	£11.34	£11.34

Double Eurocylinders

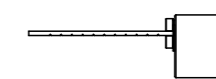


Door Eurocylinder Double Brass	85152	E50PSMM 30/30 B Blister Packed	60	£20.76	£17.49	£15.31
Door Eurocylinder Double Nickel	85117	E50PSN 30/30 B Blister Packed	60	£20.76	£17.49	£15.31
Door Eurocylinder Double Brass	85153	E50PSMM 35/35 B Blister Packed	70	£20.76	£17.49	£15.31
Door Eurocylinder Double Nickel	85118	E50PSN 35/35 B Blister Packed	70	£20.76	£17.49	£15.31
Door Eurocylinder Double Nickel	85119	E50PSN 35/45 B Blister Packed	80	£21.89	£18.63	£16.44
Door Eurocylinder Double Nickel	85120	E50PSN 35/55 B Blister Packed	90	£23.02	£19.75	£17.57
Door Eurocylinder Double Brass	85154	E50PSMM 40/40 B Blister Packed	80	£21.89	£18.63	£16.44
Door Eurocylinder Double Nickel	85121	E50PSN 40/40 B Blister Packed	80	£21.89	£18.63	£16.44
Door Eurocylinder Double Nickel	85122	E50PSN 40/45 B Blister Packed	85	£21.89	£18.63	£16.44
Door Eurocylinder Double Brass	85155	E50PSMM 40/50 B Blister Packed	90	£23.02	£19.75	£17.57
Door Eurocylinder Double Nickel	85123	E50PSN 40/50 B Blister Packed	90	£23.02	£19.75	£17.57
Door Eurocylinder Double Nickel	85124	E50PSN 40/60 B Blister Packed	100	£24.72	£21.45	£19.27
Door Eurocylinder Double Brass	85156	E50PSMM 45/45 B Blister Packed	90	£23.02	£19.75	£17.57
Door Eurocylinder Double Nickel	85125	E50PSN 45/45 B Blister Packed	90	£23.02	£19.75	£17.57

PRICE LIST E50PS

Description	Item no.	Reference	Cylinder Size (mm)	2023 List Price (excl VAT) Boxed Master Keyed 2 Keys	2023 List Price (excl VAT) Boxed Keyed Alike 2 Keys	2023 List Price (excl VAT) Blister Packed Key Differed 3 Keys
Door Eurocylinder Double Nickel	85126	E50PSN 45/50 B Blister Packed	95	£24.72	£21.45	£19.27
Door Eurocylinder Double Brass	85157	E50PSMM 45/55 B Blister Packed	100	£24.72	£21.45	£19.27
Door Eurocylinder Double Nickel	85127	E50PSN 45/55 B Blister Packed	100	£24.72	£21.45	£19.27
Door Eurocylinder Double Nickel	85128	E50PSN 45/60 B Blister Packed	105	£25.28	£22.02	£19.83
Door Eurocylinder Double Brass	85158	E50PSMM 50/50 B Blister Packed	100	£24.72	£21.45	£19.27
Door Eurocylinder Double Nickel	85130	E50PSN 50/50 B Blister Packed	100	£24.72	£21.45	£19.27

UK Rim Cylinders

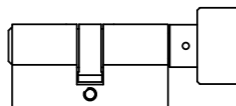


Door UK Rim Cylinder Nickel	85190	E50RC UK Rim N KD (Boxed)		£17.92	£14.65	£12.47
Door UK Rim Cylinder Nickel	85192	E50RC UK Rim N KD Blister Packed		£19.06	£15.78	£13.61
Door UK Rim Cylinder Brass	85185	E50RC UK Rim PB KD (Boxed)		£17.92	£14.65	£12.47
Door UK Rim Cylinder Brass	85187	E50RC UK Rim PB KD Blister Packed		£19.06	£15.78	£13.61

PRICE LIST E50PS

Description	Item no.	Reference	Cylinder Size (mm)	2023 List Price (excl VAT) Boxed Master Keyed 2 Keys	2023 List Price (excl VAT) Boxed Keyed Alike 2 Keys	2023 List Price (excl VAT) Blister Packed Key Differed 3 Keys
-------------	----------	-----------	--------------------	--	---	---

Thumbturn Eurocylinders



Door Eurocylinder Thumbturn Brass	85161	KE50PSMM Z30/K30 B Blister Packed	30/30	£23.30	£20.03	£17.85
Door Eurocylinder Thumbturn Nickel	85133	KE50PSN Z30/K30 B Blister Packed	30/30	£23.30	£20.03	£17.85
Door Eurocylinder Thumbturn Brass	85162	KE50PSMM Z35/K35 B Blister Packed	35/35	£23.30	£20.03	£17.85
Door Eurocylinder Thumbturn Nickel	85134	KE50PSN Z35/K35 B Blister Packed	35/35	£23.30	£20.03	£17.85
Door Eurocylinder Thumbturn Nickel	85135	KE50PSN Z35/K45 B Blister Packed	35/45	£24.43	£21.17	£18.98
Door Eurocylinder Thumbturn Nickel	85136	KE50PSN Z35/K55 B Blister Packed	35/55	£25.57	£22.30	£20.12
Door Eurocylinder Thumbturn Brass	85163	KE50PSMM Z40/K40 B Blister Packed	40/40	£24.43	£21.17	£18.98
Door Eurocylinder Thumbturn Nickel	85137	KE50PSN Z40/K40 B Blister Packed	40/40	£24.43	£21.17	£18.98
Door Eurocylinder Thumbturn Nickel	85138	KE50PSN Z40/K45 B Blister Packed	40/45	£25.57	£22.30	£20.12
Door Eurocylinder Thumbturn Brass	85164	KE50PSMM Z40/K50 B Blister Packed	40/50	£25.57	£22.30	£20.12
Door Eurocylinder Thumbturn Nickel	85139	KE50PSN Z40/K50 B Blister Packed	40/50	£25.57	£22.30	£20.12
Door Eurocylinder Thumbturn Nickel	85140	KE50PSN Z40/K60 B Blister Packed	40/60	£27.85	£24.57	£22.39
Door Eurocylinder Thumbturn Nickel	85141	KE50PSN Z45/K35 B Blister Packed	45/35	£24.43	£21.17	£18.98
Door Eurocylinder Thumbturn Nickel	85142	KE50PSN Z45/K40 B Blister Packed	45/40	£25.57	£22.30	£20.12
Door Eurocylinder Thumbturn Brass	85165	KE50PSMM Z45/K45 B Blister Packed	45/45	£25.57	£22.30	£20.12
Door Eurocylinder Thumbturn Nickel	85143	KE50PSN Z45/K45 B Blister Packed	45/45	£25.57	£22.30	£20.12
Door Eurocylinder Thumbturn Nickel	85144	KE50PSN Z45/K50 B Blister Packed	45/50	£27.85	£24.57	£22.39
Door Eurocylinder Thumbturn Brass	85166	KE50PSMM Z45/K55 B Blister Packed	45/55	£27.85	£24.57	£22.39
Door Eurocylinder Thumbturn Nickel	85145	KE50PSN Z45/K55 B Blister Packed	45/55	£27.85	£24.57	£22.39
Door Eurocylinder Thumbturn Brass	85167	KE50PSMM Z50/K40 B Blister Packed	50/40	£25.57	£22.30	£20.12

PRICE LIST E50PS

Description	Item no.	Reference	Cylinder Size (mm)	2023 List Price (excl VAT) Boxed Master Keyed 2 Keys	2023 List Price (excl VAT) Boxed Keyed Alike 2 Keys	2023 List Price (excl VAT) Blister Packed Key Differed 3 Keys
Door Eurocylinder Thumbturn Nickel	85146	KE50PSN Z50/K40 B Blister Packed	50/40	£25.57	£22.30	£20.12
Door Eurocylinder Thumbturn Nickel	85147	KE50PSN Z50/K45 B Blister Packed	50/45	£27.85	£24.57	£22.39
Door Eurocylinder Thumbturn Brass	85168	KE50PSMM Z50/K50 B Blister Packed	50/50	£27.85	£24.57	£22.39
Door Eurocylinder Thumbturn Nickel	85148	KE50PSN Z50/K50 B Blister Packed	50/50	£27.85	£24.57	£22.39
Door Eurocylinder Thumbturn Nickel	85149	KE50PSN Z55/K35 B Blister Packed	55/35	£25.57	£22.30	£20.12
Door Eurocylinder Thumbturn Brass	85169	KE50PSMM Z55/K45 B Blister Packed	55/45	£27.85	£24.57	£22.39
Door Eurocylinder Thumbturn Nickel	85150	KE50PSN Z55/K45 B Blister Packed	55/45	£27.85	£24.57	£22.39
Door Eurocylinder Thumbturn Nickel	85151	KE50PSN Z60/K40 B Blister Packed	60/40	£27.85	£24.57	£22.39

PRICES

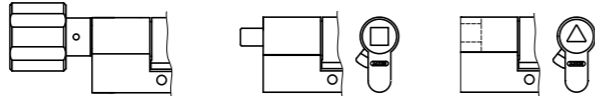
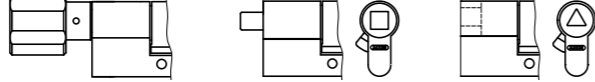
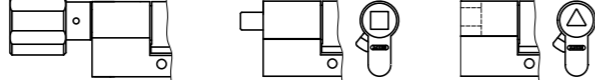
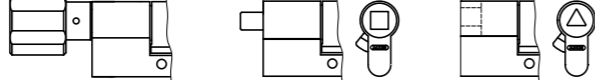
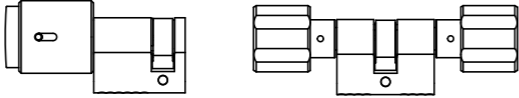
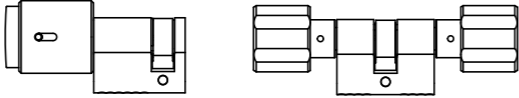
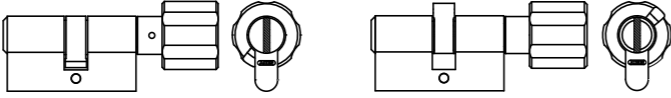
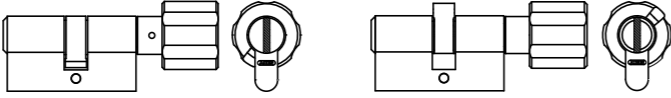
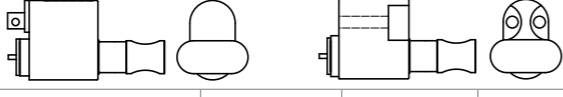
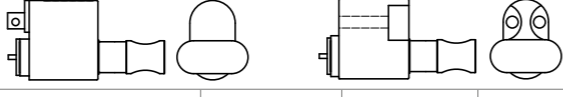


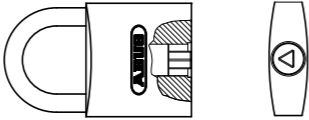
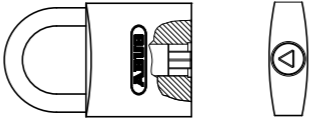
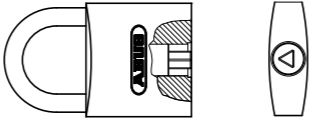
Special cylinders and features,
cylinder extensions and accessories



OTHER PRICES

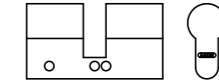
SPECIAL CYLINDERS WITHOUT KEYS / LOCKING FUNCTION

These cylinders do not include a locking function (pinning of core and housing) and can be integrated in all systems.

Item no.	Special cylinders without keys / locking function Example images	Finish	Size (mm)	UOM	RRP
Euro profile cylinders with variable locking inserts					
491AX	 Double Eurocylinder, one side with locking function, other insert	NI & MS	30/30	pcs	poa
491XK	 Double Thumbturn Cylinder, External Insert, Internal Turn	NI & MS	30/30	pcs	poa
491XH	 Half Eurocylinder with locking insert	NI & MS	30/30	pcs	poa
491KK	 Double Thumbturn Cylinder, Z Turn Both Sides	NI & MS	30/30	pcs	poa
Euro profile cylinders with thumbturn					
450-DK	 Half Thumbturn Eurocylinder with Pressure Turn	NI & MS	10/30	pcs	£95.79
391KK-SL	 Thumbturn Eurocylinder Turn Both Side Short Length	NI & MS	21.5/21.5	pcs	£85.51
Euro profile bathroom cylinder indicating "Engaged"					
491-11	 Bathroom Eurocylinder, Engaged/Turn, free 360 Deg. Turn	NI	30/30	pcs	£66.26
497	 Bathroom Eurocylinder, Engaged/Turn, limited 90 Deg. Turn	NI	30/30	pcs	£85.99
Oval cylinder with thumbturn					
457-MK	 Oval Norwegian Cylinder with Turn	NI	39.8	pcs	£105.32
457-1K	 Interior Oval Scandinavian Thumbturn	NI	39.8	pcs	£128.38
Short cylinder					
491-2	 Short Eurocylinder with Traingle No. 7	NI	10/10	pcs	£55.50
491-3	 Short Eurocylinder with Access for Tail Operation	NI	10/10	pcs	£53.05
Padlock					
481	 Padlock with Interior Square No.8	CR	48	pcs	£109.15
483	 Padlock with Interior Triangle No.7	CR	48	pcs	£109.15
482	 Padlock with Fire Brigade Turn according to DIN 3223	CR	48	pcs	£114.69

SPECIAL CYLINDERS WITHOUT KEYS / LOCKING FUNCTION


Dummy TI Eurocylinder





Item no.	Item Description	Finish	Size (mm)	UOM	RRP
493-35	Dummy TI Eurocylinder	TI	35	pcs	£11.70
493-40	Dummy TI Eurocylinder	TI	40	pcs	£12.15
493-45	Dummy TI Eurocylinder	TI	45	pcs	£12.62
493-50	Dummy TI Eurocylinder	TI	50	pcs	£13.09
493-55	Dummy TI Eurocylinder	TI	55	pcs	£13.53
493-60	Dummy TI Eurocylinder	TI	60	pcs	£13.99
493-65	Dummy TI Eurocylinder	TI	65	pcs	£14.47
493-70	Dummy TI Eurocylinder	TI	70	pcs	£14.94
493-75	Dummy TI Eurocylinder	TI	75	pcs	£15.38
493-80	Dummy TI Eurocylinder	TI	80	pcs	£15.89
493-85	Dummy TI Eurocylinder	TI	85	pcs	£16.32
493-90	Dummy TI Eurocylinder	TI	90	pcs	£16.81
493-95	Dummy TI Eurocylinder	TI	95	pcs	£17.24
493-100	Dummy TI Eurocylinder	TI	100	pcs	£17.67
493-105	Dummy TI Eurocylinder	TI	105	pcs	£18.67
493-110	Dummy TI Eurocylinder	TI	110	pcs	£19.57
493-115	Dummy TI Eurocylinder	TI	115	pcs	£20.48
493-120	Dummy TI Eurocylinder	TI	120	pcs	£21.42

KEY RINGS, KEY CAPS, ACCESSORIES

Description	Item no.	UOM	List Price
Key tag label Size 48.5 x 17 mm, 3 printed lines max.	HW-SLAHE01	pcs	£0.98
Key tags, made of plastic Assorted colours, for key tag labels	HW-SLAH01	pcs	£0.98
Key rings \varnothing 21.5 mm Packaging unit 100 pieces (price per 100)	50SRIO2	Bag 100	£24.08

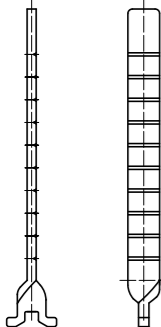
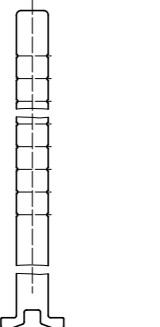
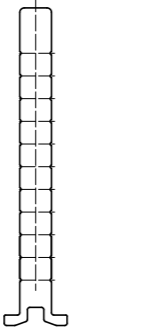
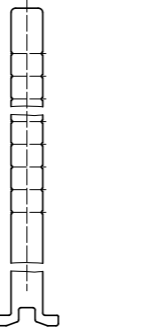
Key Cap - for a simple visual identification / retrofitting	Item no.	UOM	List Price
 Pack of 10 pcs. Please indicate the color. Available colours: white, yellow, coral, pink, red, green, capri blue, dark blue, silver, black Order example: KEYCAP01BG-red = Plastic key caps red	KEYCAP01BG...	Bag 10	£56.72

Plastic key cap to clip - for a simple visual identification / retrofitting	Item no.	UOM	List Price
 Please indicate the colour. Available colours: white, yellow red, green, blue, black Order example: SKKR-red, System V14: plastic key cap, red, System V14	SKKR...	Bag 10	£11.41

Combi Cap - for retrofitting	Item no.	UOM	List Price
 Complete solution: Pack of 10 pcs. main body with assembly kit and spacers Please indicate the colour for main body and assembly kit as well as the key system. Order example: COMCAP01-nacre main body; red assembly kit; system Integral	COMCAP01	Bag 10	£186.31

Available colours for COMCAP01, 50SKHG01 and 50SKMK01: white, nacre, rose, red, light green, light blue, light grey, black

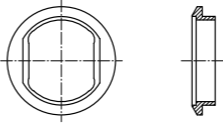
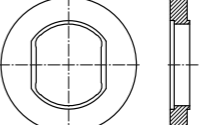
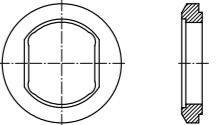
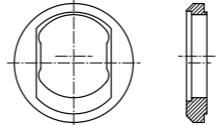
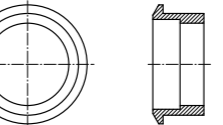
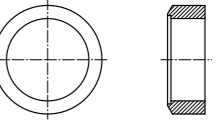
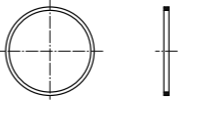
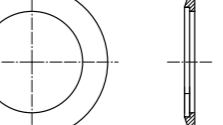
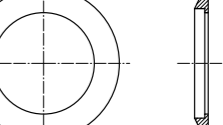
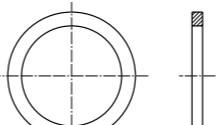
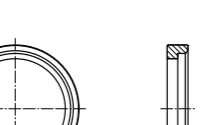
RFID Tags for Combi Caps – for retrofitting	Item no.	UOM	List Price
RFID Tag EM4200, diameter 17 mm, frequency 125 kHz	50TSP07	Bag 10	£19.76
RFID Tag Mifare 1k classic, diameter 17 mm, frequency 13,56 kHz	50TSP08	Bag 10	£19.76
RFID Tag EM4200, diameter 27 mm, frequency 125 kHz	50TSP09	Bag 10	£20.85
RFID Tag Mifare 1k classic, diameter 27 mm, frequency 13,56 kHz	50TSP10	Bag 10	£20.85
RFID Tag Mifare 8k Desfire EV1, diameter 17 mm, frequency 13,56 kHz (for wAppLoxx)	50TSP12	Bag 10	£19.76

Item no.: 50KUS07	Item no.: 50KUS11	Item no.: 50KUS18	Item no.: 50KUS20
twisted	overlength XL	high strength	overlength XXL
			

Description	Item no.	UOM	List Price
Rim Cylinder Tailpiece 70 mm (Twisted)	50KUS07	pcs	£5.43
Rim Cylinder Tailpiece 70 mm	50KUS18	pcs	£5.43
Rim Cylinder Tailpiece 150 mm	50KUS11	pcs	£11.23
Rim Cylinder Tailpiece 250 mm	50KUS20	pcs	£14.53

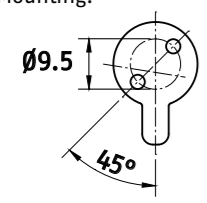
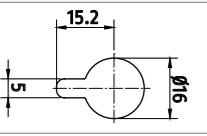
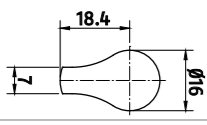
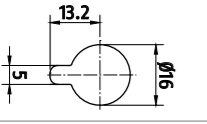
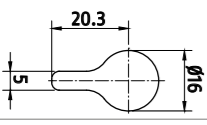
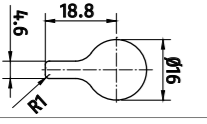
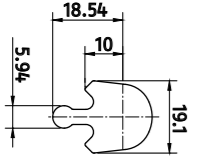
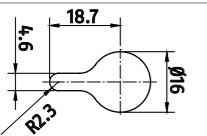
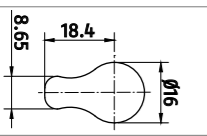
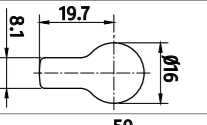
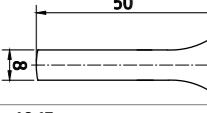
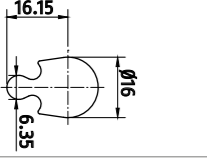
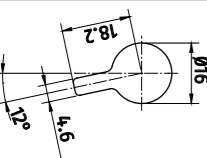
ACCESSORIES

Rosettes for cam-, furniture-, pressure- and rim cylinders | Item no.: 50ROS...

Item no.: 50ROS05 For cam cylinder \varnothing 24 mm 	Item no.: 50ROS06 For cam cylinder \varnothing 24 mm 	Item no.: 50ROS08 For cam cylinder \varnothing 24 mm 
Item no.: 50ROS09 For rim cylinder \varnothing 25 mm 	Item no.: 50ROS014 For rim cylinder \varnothing 29.6 mm 	Item no.: 50ROS10 Spacer for cam cylinder \varnothing 24 mm 
Item no.: 50ROS17 Spacer for cam cylinder \varnothing 24 mm 	Item no.: 50ROS04 For rim cylinder "LW01" 	Item no.: 50ROS07 For rim cylinder "Ruko 1607" 
Item no.: 50ROS16 Spacer for mortice cylinder 	Item no.: 50ROS21 For mortice cylinders as replacement rosette for different mounting depths 	

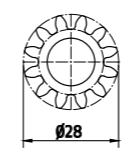
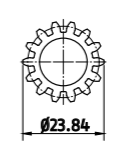
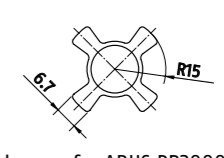
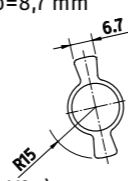
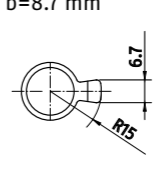
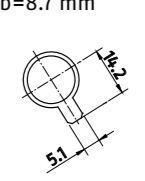
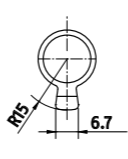
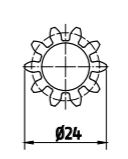
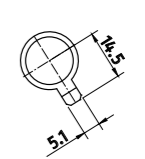
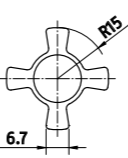
Description	Item no.	UOM	List Price
Rosette, Cam Cylinder Dia 24 mm, Nickel	50ROS05-0002	pcs	£10.28
Rosette, Cam Cylinder Dia 24 mm, Nickel	50ROS06-0001	pcs	£12.52
Rosette, Cam Cylinder Dia 24 mm, Nickel	50ROS08-0001	pcs	£12.52
Rosette, Cam Cylinder Dia 24 mm, Nickel	50ROS09-0001	pcs	£15.22
Rosette, Cam Cylinder Dia 24 mm, Nickel	50ROS14-0001	pcs	£15.90
Rosette, Cam Cylinder Dia 24 mm, Nickel	50ROS10-0001	pcs	£11.53
Rosette, Cam Cylinder Dia 24 mm, Nickel	50ROS17-0001	pcs	£13.10
Rosette, UK Rim Cylinder Dia 29.6 mm, Nickel	50ROS04-0001	pcs	£10.28
Rosette, UK Rim Cylinder Dia 29.6 mm, Nickel	50ROS07-0001	pcs	£11.28
Rosette 456-SR1 Mortice Cylinder, Nickel	50ROS16-0001	pcs	£10.28
Rosette 456-SR1 Mortice Cylinder, Nickel	50ROS21-0001	pcs	£10.75

ACCESSORIES

Cams for mortice cylinders	Specification	UOM	List Price
Mounting: 			
	SZ01	pcs	£10.72
	SZ02	pcs	£13.00
	SZ03	pcs	£10.72
	SZ04	pcs	£19.76
	SZ05	pcs	£19.76
	SZ06	pcs	£13.00
	SZ07	pcs	£19.76
	SZ08	pcs	£19.76
	SZ09	pcs	£13.00
	SZ10	pcs	£24.23
	SZ11	pcs	£12.64
	SZ12	pcs	£12.48

Other cams on demand.

ACCESSORIES

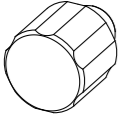
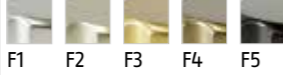
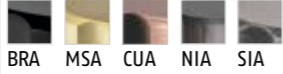
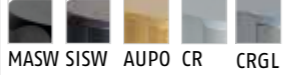


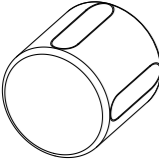
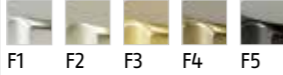
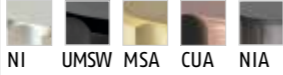


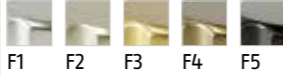
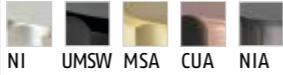



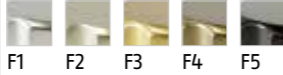
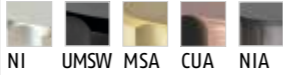


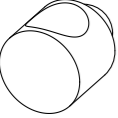



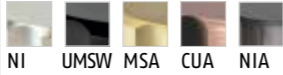


Cams for profile cylinders		
...SB02 b=7.5 mm 	...SB03 b=7.2 mm 	...SB04 b=8.1 mm 
12 teeth cog	14 teeth cog	Quadruple cam for ABUS PR2000 ... PR2500
...SB05 b=8,7 mm 	...SB06 b=8.7 mm 	...SB08 b=8.7 mm 
Double cam (Biffar)	Block lock 90°	British oval cylinder
...SB10 b=8.7 mm 	...SB11 b=7.7 mm 	...SB12 b=8.7 mm 
Cam with 6 o'clock position	10 teeth cog	Belgium
...SB14 b=8.7 mm 		
Quadruple cam for door bar		

b = Cam width
Image installed cylinder


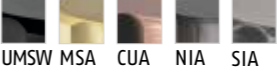
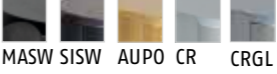


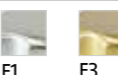
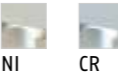



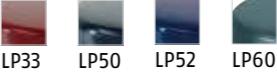

Other cam shapes on demand.

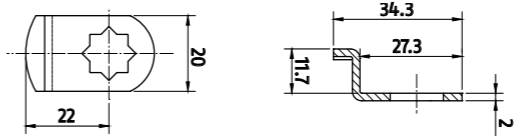
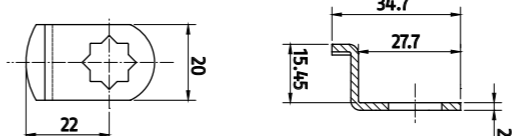
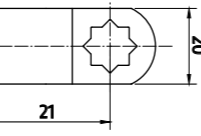
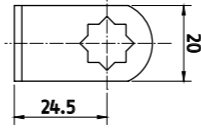
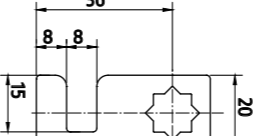
Item no.	Description	UOM	List Price
50SBD-0002	Locking Cam STD, Standard Coupling	pcs	£3.01
50SBD-0003	Locking Cam STD, Emergency Function Coupling	pcs	£4.99
50SBD-0007	Locking Cam STD, Freewheel Cam (PKUP)	pcs	£6.50
50SBD-0017	Locking Cam SB02, 12 Tooth Cog Cam	pcs	£26.07
50SBD-0018	Locking Cam SB03, 14 Tooth Cog Cam	pcs	£26.07
50SBD-0019	Locking Cam SB04, Quad Cam, 4-Position	pcs	£23.79
50SBD-0053	Locking Cam SB05, Double Cam, 2-Postion (Biffar)	pcs	£5.72
50SBD-0023	Locking Cam SB06, Block Lock 90 Deg.	pcs	£4.99
50SBD-0047	Locking Cam SB08, Oval Cylinder	pcs	£6.69
50SBD-0031	Locking Cam SB10, Cam at 6 O'Clock Position	pcs	£4.99
50SBDJ-0019	Locking Cam SB11, STD Coupling, 10 Tooth Cog Cam	pcs	£17.51
50SBD-0039	Locking Cam SB11, Emergency Coupling, 10 Tooth	pcs	£17.51
50SBD-0033	Locking Cam SB14, Quad Cam for ABUS Door Bar	pcs	£23.79
50SBHN01	Locking Cam STD, Half Euro Profile Cylinder	pcs	£2.75

ACCESSORIES

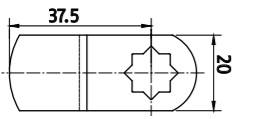
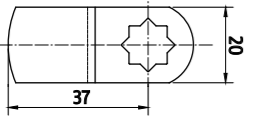
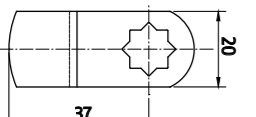
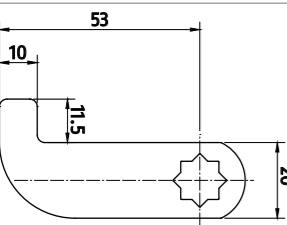
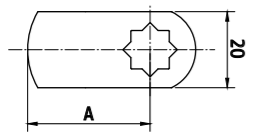
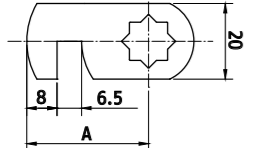
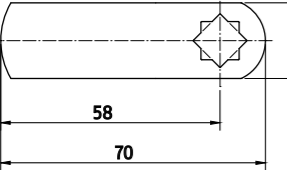
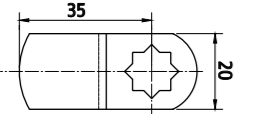
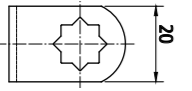
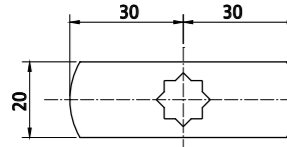
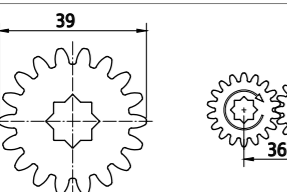
Thumbturn shapes and finishes		Specification	List Price
	anodised aluminium 	Z... (colour code)	£21.04
	Brass  	Z... (colour code)	£21.04
		ZNI	£21.04
	Stainless steel polished 	ZEPO	£21.04
	anodised aluminium 	2... (colour code)	£17.51
	Brass   	2... (colour code) NI £23.79 CR £27.06 AUPO £36.81 All other finishes POA	
	anodised aluminium 	H... (colour code)	£13.00
	Brass   	H... (colour code) NI £19.54 AUPO £35.54 UMSW £35.54 All other finishes POA	
	anodised aluminium 	H... (colour code)	£13.00
	Brass   	H... (colour code) NI £19.54 AUPO £35.54 UMSW £35.54 All other finishes POA	
	Brass   	K... (colour code) NI £19.54 CR £22.76 AUPO £35.54 UMSW £35.54 All other finishes POA	
	Brass   	S... (colour code) NI £19.54 CR £22.76 AUPO £35.54 UMSW £35.54 All other finishes POA	

ACCESSORIES

Thumbturn shapes and finishes		Specification	List Price
	Brass  	0... (colour code)	NI £6.17 CR £31.79 AUPO £47.84 UMSW £47.84 All other finishes POA
	Standard 	ONI	Without surcharge
	anodised aluminium 	P... (colour code)	F1 £16.01 F3 £33.70
	Brass 	50KFW01NI 50KFW01CR	£14.47
	Polyamide    	L... (colour code)	£17.81

Cam shapes for cam cylinders	Item no.	List Price
	L22A	£9.03
	L22B	£9.03
	L21D	£9.03
	L24H	£9.03
	L36F	£9.03

ACCESSORIES

Cam shapes for cam cylinders	Item no.	List Price
	L37J	£9.03
	L37L	£9.03
	L37M	£9.03
	L43G	£9.03
	L25C length 25 mm	£9.03
Other lengths on request: L30C length 30 mm L35C length 35 mm L40C length 40 mm L45C length 45 mm L58C length 58 mm L65C length 65 mm L80C length 80 mm		
	L30E length 30 mm	£9.03
Other lengths on request: L35E length 35 mm L38E length 38 mm L40E length 40 mm L45E length 45 mm		
	50HEB28	£11.94
high resistance		
	50HEB01	£3.56
	L36K length 36mm	£11.94
Other lengths on request: L31K length 31 mm		
	L30Z	£9.07
	L18Z	£11.94

Other cam shapes on demand. For more details see technical specifications.


ACCESSORIES

Key strongbox	Item no.	Finish	UOM	List Price	
	Key Strongbox Without Cover	453-01	NI	pcs	£120.15
	Key Strongbox With Cover	453-01	NI	pcs	£126.39

Weather protection rosettes	Item no.	UOM	Price	
	Galvanised steel	50RSR01	pcs	£41.47

Bitting gauge	Item no.	UOM	Price	
	Cylinder Length Measuring & Installation Tool Type 1 (Plastic)	HW-BSMMS01	pcs	£18.97
	Cylinder Length Measuring & Installation Tool Type 2 (Metal Long)	HW-BSMMS02	pcs	£40.44
	Cylinder Length Measuring & Installation Tool Type 3 (Metal Short)	HW-BSMMS03	pcs	£36.60
Cylinder Length Measuring Tool (Plastic)	HW-ZML01	pcs	£15.11	

Cylinder length measuring tool	Item no.	Price	
	Material: Plastic	HW-ZML01	£15.11

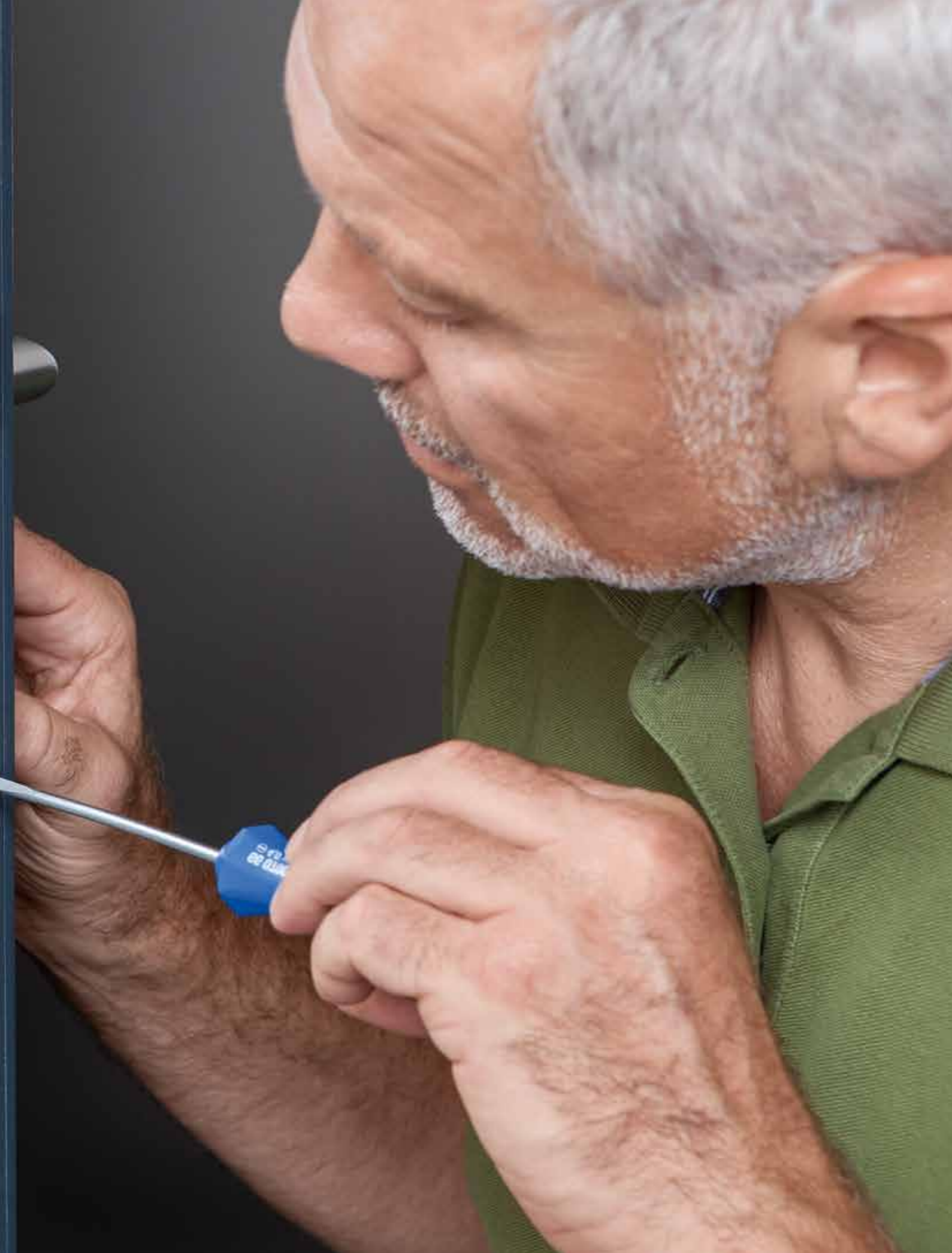
Lubricant spray	Item no.	Price	
	Content size: 50 ml	PS88	£11.98

Code cards	Item no.	Price
Security Card for KD Cylinders	SK-ES01	£1.83

OTHER PRICES

TECHNICAL INFORMATION

Cylinder series and accessories



TECHNICAL INFORMATION

Solutions and special features

TAILORED SOLUTIONS

We provide customised solutions to meet any requirement, from family homes to building complexes. In a master key system, different cylinder types and designs can be combined, and opened with a single key. Select the right cylinder design for you from our wide range of products:

- Euro profile cylinders in a compact, modular design
- Cam and mortice cylinders
- Rim cylinders
- Padlocks
- Lift and switch cylinders
- Oval cylinders
- Special cylinders
- Pressure cylinders
- Furniture cylinders

INDIVIDUAL REQUIREMENTS

You can also equip your cylinder with various special features to meet your specific requirements. For example:

- Free-wheel function
- Separate rotation locking system
- Secondary or construction key features
- Anti-drill protection
- Pre-snap protection
- Seawater resistance
- Cylinder finishes
- Certifications
- Locking cam designs
- Door thumbturn designs and colours
- Cam and rim cylinder rosettes
- Cam designs for cam cylinders
- Locking bolts for mortice cylinders
- Tail pieces

Further details can be found in the section "Special features and accessories".

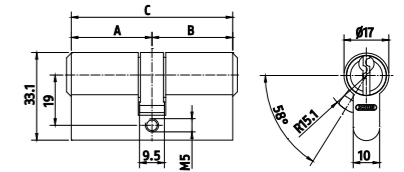
CYLINDER ASSORTMENT SPECIFICATIONS

Euro profile cylinder

Profile double cylinder | Cylinder type 410



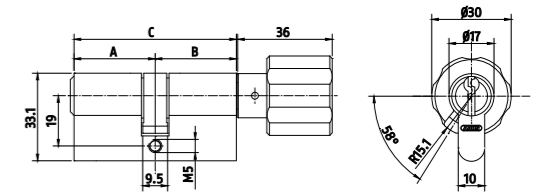
- Specification:
- Basic length cylinder (size C): 6 pins – 61 mm
- Options:
- Different kinds of cams, couplings and special features available



Profile thumbturn cylinder | Cylinder type 430



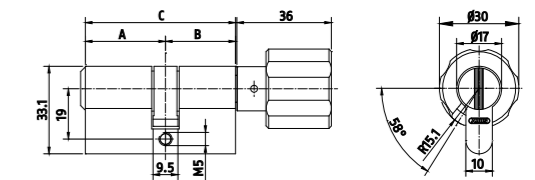
- Specification:
- Basic length cylinder (size C): 6 pins – 61 mm
 - Standard thumbturn: shape Z, Nickel Pearl
- Options:
- Different cams, coupling functions, for example with anti-barricade (key has priority) and special features available



Profile thumbturn bathroom cylinder indicating "Engaged" | Cylinder type 491-11



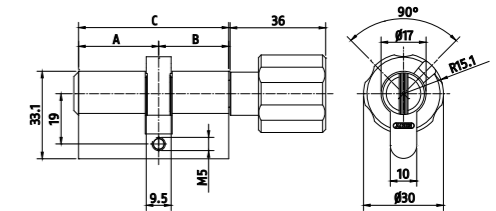
- Specification:
- Basic length cylinder (size C): 6 pins – 61 mm
 - Standard thumbturn: shape Z, Nickel Pearl
 - free 360° turning



Profile thumbturn bathroom cylinder indicating "Engaged" | Cylinder type 497



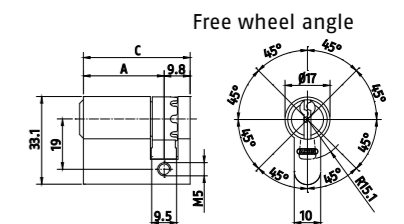
- Specification:
- Basic length cylinder (size C): 6 pins – 61 mm
 - Standard thumbturn: shape Z, Nickel Pearl
 - Limited turning movement 90°
 - To install the cylinder, a needle can be used to temporarily disengage the 90° turning limit



Half cylinder with 8-fold adjustable cam | Cylinder type 452



- Specification:
- Basic length cylinder (size C): 6 pins – 40.3 mm
 - Cylinders are supplied from the factory with the cam mounted at the 7 o'clock position which can be adjusted to different positions in steps of 45° (8-fold adjustable)



CYLINDER ASSORTMENT SPECIFICATIONS

Cam cylinder, Mortice cylinder

Cam cylinder \varnothing 24 mm | Cylinder type 456-H24

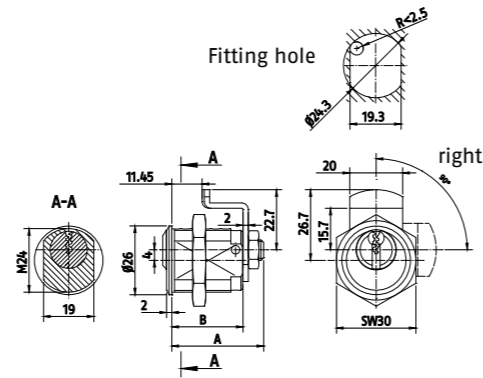


Specification:

- Overall length cylinder: 6 pin cylinder – A=34.7 mm, B=26.9 mm
- Locking movement 90°, clockwise
- Key only removable in locking position
- Cam is adjustable 360° in 45° steps
- Slight deviations regarding the sizes in systems Bravus and Vela

Options:

- Change of direction (90° counterclockwise) possible, please indicate on your order
- Rosettes for fitting



Mortice cylinder \varnothing 29,2 mm | Cylinder type 456-SR1

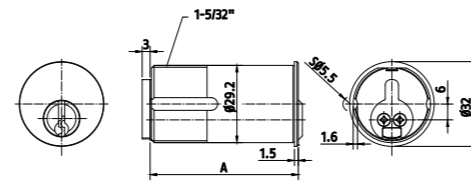


Specification:

- Standard length (size A): 6 pin cylinders – 30 mm
- With thread \varnothing 29,2 x 1-5/32"
- Standard cam 50SZU_S207

Options:

- Further lengths: 35, 42, 50, 58 and 66 mm
- Different cams



Rim cylinder for rim locks

Rim cylinder \varnothing 29,6 mm | Cylinder type 454-29,6

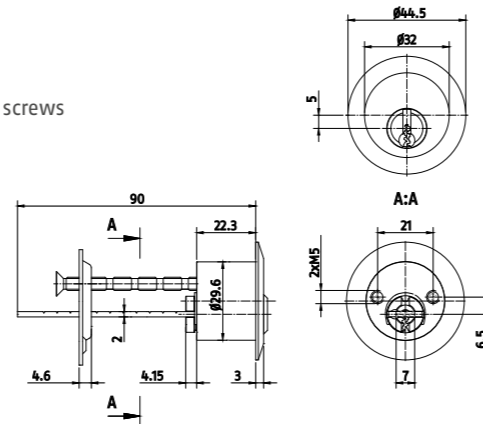


Specification:

- Housing length 6-pins – 24.8 mm
- With tail piece 70 mm (can be cut to length)
- With rosette \varnothing 44.5 mm, fixing plate, two fixing screws M5x60, two wood screws M2,7x16

Options:

- Tail piece 70 mm or 150 mm reinforced
- Tail piece 70 mm, turned by 90°



CYLINDER ASSORTMENT SPECIFICATIONS

Padlocks and locking inserts for padlocks

Padlock | Cylinder type 480

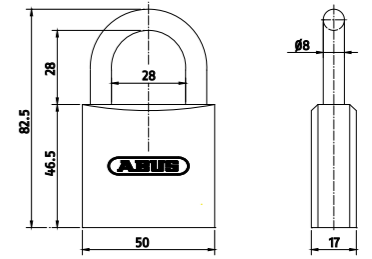


Specification:

- Housing: Chrome-plated brass
- With hardened steel shackle NANO PROTECTED™ height 28 mm

Options:

- Shackle: Steel 48, 64, 80 mm
- Shackle: Chromium-nickel steel 28, 48, 64, 80 mm



Shackles and special features for padlocks ...480

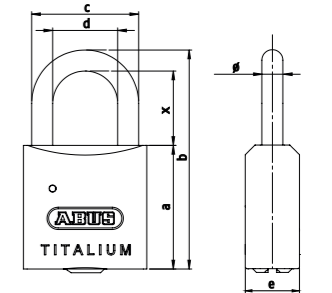
Description	Item no.:	
Padlock shackle in hardened steel	48 mm	SG48
	64 mm	SG64
	80 mm	SG80

Padlock | Cylinder type 480-TI



Specification:

- Solid lock body made from TITALIUM™ special aluminium – high security with low weight
- With hardened steel shackle NANO PROTECTED™
- Shackle double bolted



Variations of padlocks ...480-TI

Description	a	b	c	d	e	x	\varnothing	Item no.:
Padlock: width 45 mm	46.7 mm	82.7 mm	40.4 mm	24.6 mm	20.5 mm	28.1 mm	7.9 mm	...480-TI45
Padlock: width 50 mm	48 mm	92.4 mm	44.1 mm	25.1 mm	23 mm	34.8 mm	9.5 mm	...480-TI50
Padlock: width 60 mm	48.7 mm	91.7 mm	47.4 mm	25.2 mm	28 mm	31.9 mm	11.1 mm	...480-TI60

Locking insert for ABUS Padlock 83 | Cylinder type 492-V83

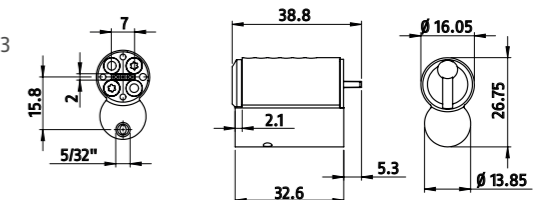


Specification:

- In combination with ABUS padlock series 83
- A custom fitting at the factory is not necessary. Can be easily retrofitted.

Options:

- Available with or without padlock



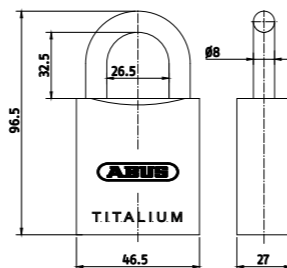
CYLINDER ASSORTMENT SPECIFICATIONS

ABUS padlock for profile half cylinder | Item 86TI/45



Specification:

- In combination with profile half cylinder 352-VHS86 / 452-VHS86
- Solid lock body made from TITALIUM™ alloy - high security with low weight
- Hardened steel shackle with NANO PROTECT™ coating
- Lock insert not included
- Key retaining

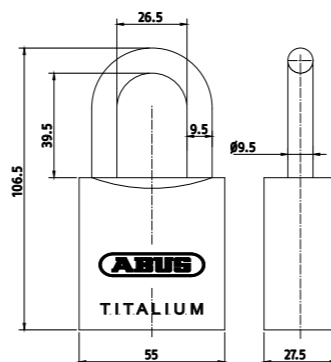


ABUS padlock for profile half cylinder | Item 86TI/55



Specification:

- In combination with profile half cylinder 352-VHS86 / 452-VHS86
- Solid lock body made from TITALIUM™ alloy - high security with low weight
- Hardened steel shackle with NANO PROTECT™ coating
- Lock insert not included
- Can be set as key-retaining or non key-retaining (according to cam position)

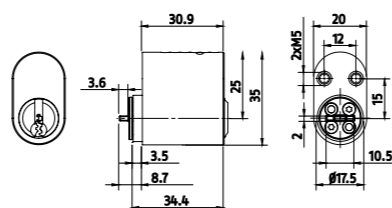


Oval cylinder for ABUS padlock Rock 60 and Rock 80 | Cylinder type 457-2

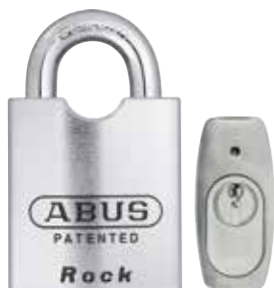


Specification:

- Housing length 30,9 mm
- An assembly into the padlock at the factory is recommended
- Ideal: Sending in the padlock

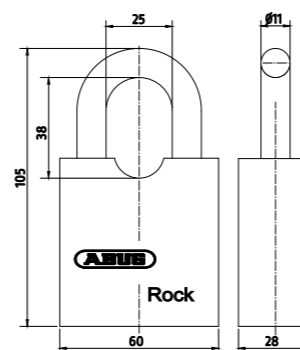


ABUS padlock for oval cylinder | Item Rock 60



Specification:

- In combination with oval cylinder 457-2
- Lock insert not included
- Surcharge for assembling the cylinder into the padlock

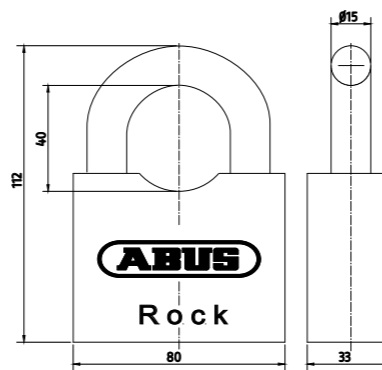


ABUS padlock for oval cylinder | Item Rock 80



Specification:

- In combination with oval cylinder 457-2
- Lock insert not included
- Surcharge for assembling the cylinder into the padlock
- Bravus and Vela with different cylinder protection cover (50VHSET04)



CYLINDER ASSORTMENT SPECIFICATIONS

Padlock with interior square no. 8 | Item 481

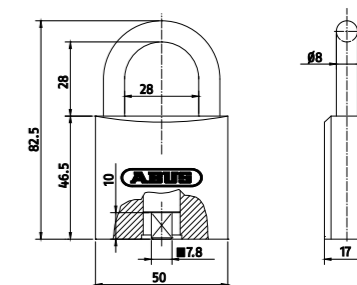


Specification:

- Housing: Chrome-plated brass
- With hardened steel shackle NANO PROTECTED™, height 28 mm
- Delivery without square key

Options:

- Shackle: hardened steel 48, 64, 80 mm
- Shackle: Chromium- nickel steel 28, 48, 64, 80 mm



Padlock with interior triangle no. 7 | Item 483

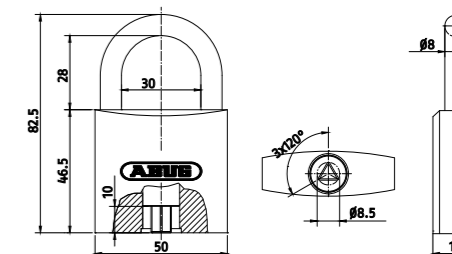


Specification:

- Housing: Chrome-plated brass
- With hardened steel shackle NANO PROTECTED™, height 28 mm
- Delivered without triangular wrench

Options:

- Shackle: hardened steel 48, 64, 80 mm
- Shackle: Chromium- nickel steel 28, 48, 64, 80 mm



Padlock with fire brigade thumbturn according to DIN 3223 | Item 482

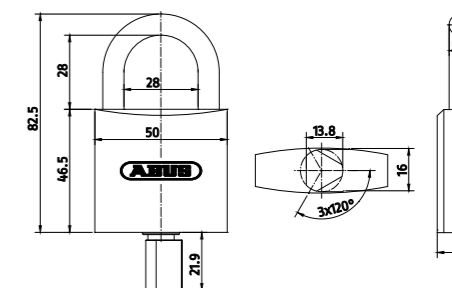


Specification:

- Housing: Chrome-plated brass
- With hardened steel shackle NANO PROTECTED™, height 28 mm
- With higher torque turning resistance to help prevent misuse
- Delivered without key

Options:

- Shackle: hardened steel 48, 64, 80 mm
- Shackle: Chromium- nickel steel 28, 48, 64, 80 mm



CYLINDER ASSORTMENT SPECIFICATIONS

Lift and switch cylinders

Key-operated switch cylinder Ø 24 mm | Cylinder type 456-ES1

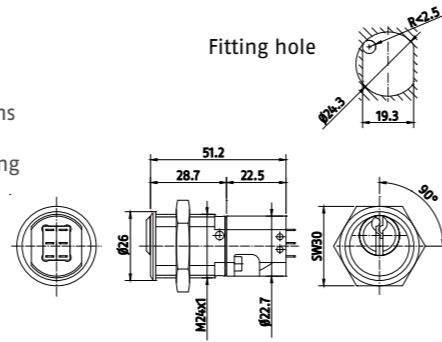


Specification:

- Overall length of cylinder 6 pins – 26.7 mm
- 2 switches (changers) each with soldered connections (1 opener, 1 closer) 250 V-AC/5A and V-DC/5A
- Locking movement 90°, key only removable in closing position
- Slight deviations regarding the sizes in system Bravus.3000

Options:

- Item no. 456-ES1-S01 in system Integral: Locking movement 90°, two positions for removing the key

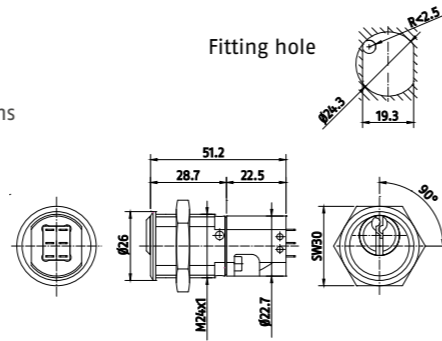


Key-operated switch cylinder Ø 24 mm rebounded | Cylinder type 456-ES2



Specification:

- Overall length of cylinder 6 pins – 26.7 mm
- 2 switches (changers) each with soldered connections (1 opener, 1 closer) 250 V-AC/5A and V-DC/5A
- Locking movement 90°, rebounded, key only removable in closing position
- Slight deviations regarding the sizes in system Bravus.3000



Oval cylinder

Oval double cylinder | Cylinder type 417

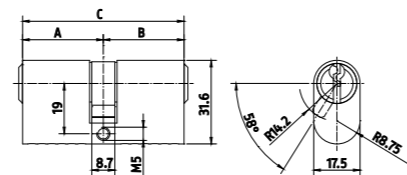


Specification:

- "British oval"
- Basic length cylinder (size C): 6 pins – 61 mm
- With special cam

Options:

- Available up to a length of 81 mm (30/30, 35/35, 40/40 mm), other lengths on request



Oval thumbturn cylinder | Cylinder type 437

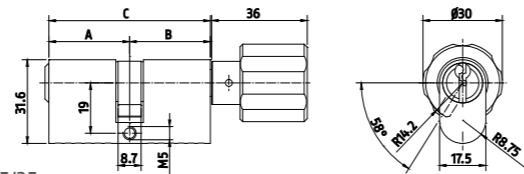


Specification:

- "British oval"
- Basic length cylinder (size C): 6 pins – 61 mm
- Standard thumbturn: shape Z, Nickel Pearl
- With special cam

Options:

- Available up to a length of 81 mm (30/30, 35/35, 40/40 mm), other lengths on request



Oval half cylinder with 8-fold adjustable cam | Cylinder type 457

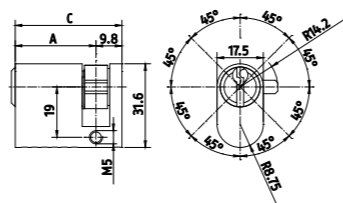


Specification:

- "British oval"
- Basic length cylinder (size C): 6 pins – 40.3 mm
- Cam is delivered in 7 o'clock position and can be adjusted in all positions in steps of 45° (8-position adjustability)
- With special cam

Options:

- Available up to a length of 50.3 mm (30/10, 35/10, 40/10 mm), other lengths on request



CYLINDER ASSORTMENT SPECIFICATIONS

Interior Scandinavian oval cylinder | Cylinder type 457-1

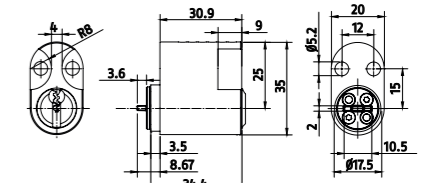


Specification:

- Housing length: 6 pins – 30.9 mm

Options:

- Housing also available with 5 or 10 mm extensions
- 60 mm tail piece



Exterior Scandinavian oval cylinder | Cylinder type 457-2

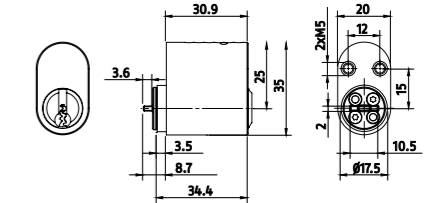


Specification:

- Housing length: 6 pins – 30.9 mm

Options:

- Housing also available with 5 or 10 mm extension modules
- 60 mm tail piece



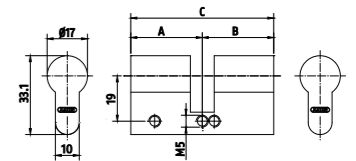
Blind / Dummy cylinder

Compact euro profile blind/dummy cylinder | Cylinder type 493-...



Specification:

- Longer sizes have several installation screw holes for flexible fitting in different door thicknesses. Please refer to table below
- Material: Titanium
- Suitable for the use in T90 fire doors, test certificate on demand.



Fitting possibilities for each length	Total length	Item no.:
10/25	35	493-35
10/30	40	493-40
10/35	45	493-45
10/40, 25/25	50	493-50
10/45, 27,5/27,5	55	493-55
10/50, 25/35, 30/30	60	493-60
10/55, 25/40, 35/30	65	493-65
10/60, 25/45, 35/35, 30/40	70	493-70
10/65, 25/50, 35/40, 45/30	75	493-75
10/70, 25/55, 35/45, 30/50, 40/40	80	493-80
10/75, 25/60, 35/50, 45/40, 55/30	85	493-85
10/80, 25/65, 35/55, 45/45, 30/60, 40/50	90	493-90
10/85, 25/70, 35/60, 45/50, 55/40, 65/30	95	493-95
10/90, 25/75, 35/65, 45/55, 30/70, 40/60, 50/50	100	493-100
10/95, 25/80, 35/70, 45/60, 55/50, 65/40, 75/30	105	493-105
10/100, 25/85, 35/75, 45/65, 55/55, 30/80, 40/70, 50/60	110	493-110
10/105, 25/90, 35/80, 45/70, 55/60, 65/50, 75/40, 85/30	115	493-115
10/110, 25/95, 35/85, 45/75, 55/65, 30/90, 40/80, 50/70, 60/60	120	493-120

CYLINDER ASSORTMENT SPECIFICATIONS

Euro profile cylinder with variable locking inserts

Euro profile double and half cylinder with variable locking inserts | Cylinder type 491XX

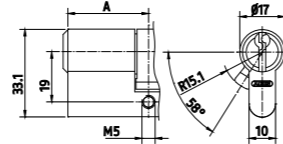


- Specification:
- Item number 491XX is defined with two X variables, X stands for the function of the locking insert and has to be replaced by an acronym or abbreviation for each cylinder side separately
 - Total length double cylinder (size C): 6 pins - 61 mm
 - Total length half cylinder (size C): 6 pins - 40.3 mm
 - Delivery without matching tool for opening
- Order example:
491XX 30-30_K_IA48
Double cylinder, 6 pins, exterior side with thumbturn, length 30.5 mm
interior side with interior square no. 8, length: 30.5 mm

Variable cylinder side for cylinder type 491X → A



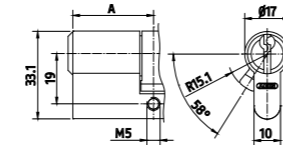
- Specification:
- keyed side



Variable cylinder side for cylinder type 491X → M



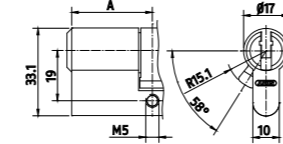
- Specification:
- cylinder side for profiled construction key



Variable cylinder side for cylinder type 491X... → U



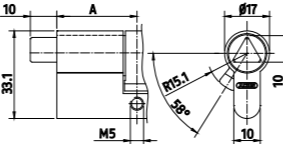
- Specification:
- cylinder side for universal construction key



Variable cylinder side for cylinder type 491X... → AA30



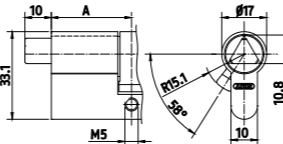
- Specification:
- With exterior triangle no. 10



Variable cylinder side for cylinder type 491X... → AA31



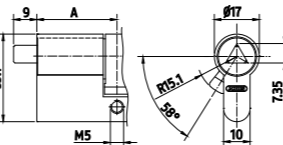
- Specification:
- With exterior triangle no. 11



Variable cylinder side for cylinder type 491X... → AA37



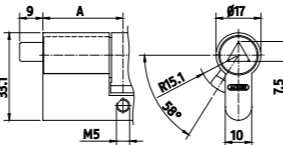
- Specification:
- With exterior triangle no. 7



Variable cylinder side for cylinder type 491X... → AA38



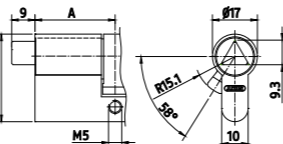
- Specification:
- With exterior triangle no. 8



Variable cylinder side for cylinder type 491X... → AA39



- Specification:
- With exterior triangle no. 9

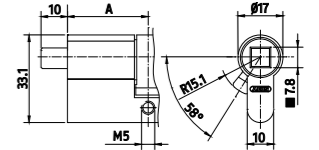


CYLINDER ASSORTMENT SPECIFICATIONS

Variable cylinder side for cylinder type 491X... → AA48



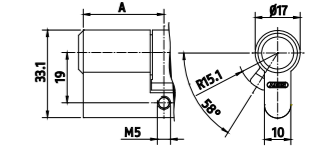
- Specification:
- With exterior square no. 8



Variable cylinder side for cylinder type 491X... → BLIS



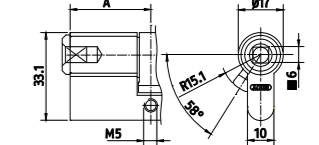
- Specification:
- With dummy/blind core on one side



Variable cylinder side for cylinder type 491X... → II46



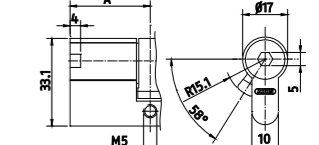
- Specification:
- With interior square no. 6



Variable cylinder side for cylinder type 491X... → II65



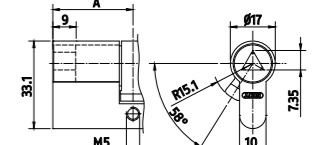
- Specification:
- With interior hexagon no. 5



Variable cylinder side for cylinder type 491X... → IA37



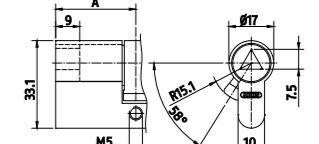
- Specification:
- With interior triangle no. 7



Variable cylinder side for cylinder type 491X... → IA38



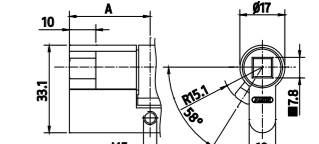
- Specification:
- With interior triangle no. 8



Variable cylinder side for cylinder type 491X... → IA48



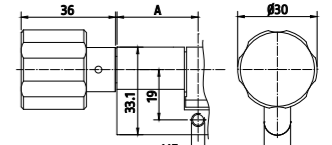
- Specification:
- With interior square no. 8



Variable cylinder side for cylinder type 491X... → K



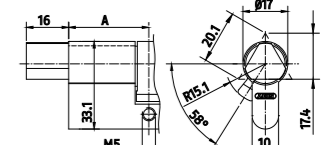
- Specification:
- With thumbturn (always on the right side)



Variable cylinder side for cylinder type 491X... → L



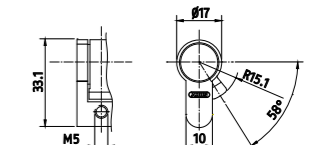
- Specification:
- With fire brigade thumbturn (always on the right side)



Variable cylinder side for cylinder type 491X... → H



- Specification:
- With half cylinder 9.8 mm



CYLINDER ASSORTMENT SPECIFICATIONS

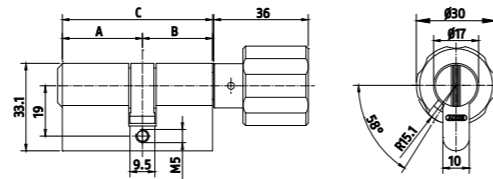
Special cylinders without keys / locking function

Profile thumbturn bathroom cylinder indicating "Engaged" | Cylinder type 491-11



Specification:

- Basic length cylinder (size C):
5 pins – 53 mm,
6 pins – 61 mm
- Standard thumbturn: shape Z, Nickel Pearl
- free 360° turning

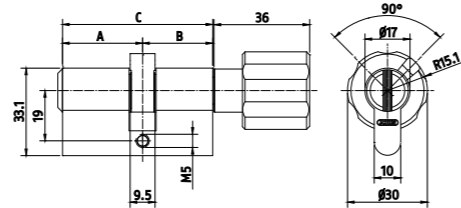


Profile thumbturn bathroom cylinder indicating "Engaged" | Cylinder type 497



Specification:

- Basic length cylinder (size C):
5 pins – 53 mm,
6 pins – 61 mm
- Standard thumbturn: shape Z, Nickel Pearl
- Limited turning movement 90°
- To install the cylinder, a needle can be used to temporarily disengage the 90° turning limit

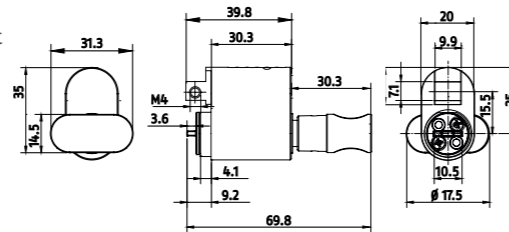


Oval Norwegian cylinder with thumbturn | Cylinder type 457-MK



Specification:

- For respective rim locks, e.g. as replacement for Trioing 5542
 - Housing length: 39.8 mm
 - Standard thumbturn: shape 0, brass nickel-plated
 - With tail piece 3.5 mm
- Options:**
- Housing with 5 or 10 mm extension
 - 60 mm tail piece

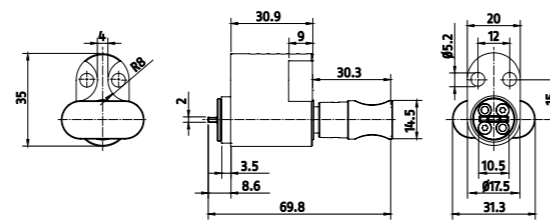


Interior Scandinavian oval cylinder with thumbturn | Cylinder type 457-1K



Specification:

- Housing length: 30.9 mm
 - Standard thumbturn: shape 0, brass nickel-plated
 - With tail piece 3.5 mm
- Options:**
- Housing with 5 or 10 mm extension
 - 60 mm tail piece

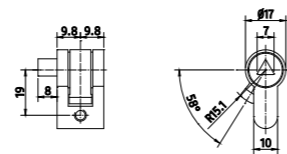


Short cylinder with exterior triangle no. 7 | Cylinder type 491-2



Specification:

- Basic length 9.8/9.8 mm

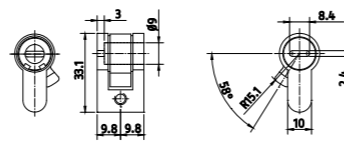


Tail piece-operated Euro profile cylinder insert | Cylinder type 491-3



Specification:

- Basic length 9.8/9.8 mm



TECHNICAL INFORMATION – SPECIAL FEATURES

Combi Cap - for retrofitting

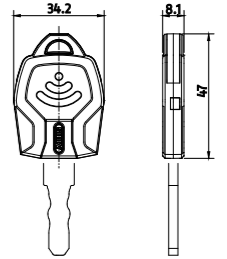


Specification:

- Material: plastic
- Available in various colours and colour combinations for all ABUS Pfaffenhain-systems
- Please note this cap cannot be supplied ready-assembled from the factory. Retrofit only.
- For the use with transponders (optional) to operate electronic products
- Later opening of the key cap is possible at any time, e.g. for the change of a transponder

Attention:

Please mind the packaging units as per below.



Description	Item no.
<p>Complete solution:</p> <p>Pack of 10 pcs. main body with assembly kit and spacers - Please indicate the colour for main body and assembly kit as well as the key system- Order example: COMCAP01-nacre main body; red assembly kit; system Integral</p>	COMCAP01
<p>Single parts:</p> <p>Pack of 10 pcs. basic body - Please indicate the colour - Order example: 50SKHG01-nacre</p> <p>Pack of 10 pcs. assembly kit consists of clip and filling piece - Please indicate the colour - Order example: 50SKMK01-light blue When using the filling piece, the cap can be used as RFID-TAG (without key)</p> <p>Pack of 10 pcs. spacer for compensation of key thickness of 0,5 mm For keys of the systems Z14 and Integral.</p> <p>Pack of 10 pcs. spacer for compensation of key thickness of 1,0 mm For keys of the systems Vela, Vitess, Zolit, S60+, S6+, S50+, S5+, Standard, V14, Y14, Y14 Deltus, W14 and Wavy Line.</p> <p>Keys of the system Wavy Line pro and Bravus do not require the spacer.</p>	<p>50SKHG01</p> <p>50SKMK01</p> <p>50SAB03-0,5</p> <p>50SAB03-1,0</p>

Transponders for Combi Caps



Description	Item no.
Transponder EM4200, diameter 17 mm, frequency 125 kHz	50TSP07
Transponder EM4200, diameter 27 mm, frequency 125 kHz	50TSP09
Transponder Mifare 1k classic, diameter 17 mm, frequency 13,56 kHz	50TSP08
Transponder Mifare 1k classic, diameter 27 mm, frequency 13,56 kHz	50TSP10
Transponder Mifare 8k Desfire EV1, diameter 17 mm, frequency 13,56 kHz (for wAppLoxx)	50TSP12

TECHNICAL INFORMATION – ACCESSORIES

Key Cap - for retrofitting

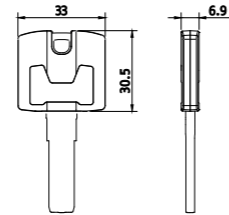


Specification:

- Material: plastic with metal insert for attachment of key ring
- Available in various colours and colour combinations for all ABUS Pfaffenhain systems
- Fitting at the factory not necessary, can be easily retrofitted
- The caps can be disassembled and replaced at any stage
- Subsequent opening of the key cap is possible, but not without damaging it
- Not suitable for use with transponders
- Locking mechanism number and embossing are visible

Order example:

KEYCAP01BG-red = Plastic key caps red



Description	Item no.
Set of 10 key caps for 10 conventional keys and/or reversible keys contains: 20 x cap halves, 10 x metal reinforcements for the keyring and 20 x windows Please indicate the colour. Available colours: white, yellow, coral, pink, red, green, capri blue, dark blue, silver, black	KEYCAP01BG...
Using the windows contained in the set: 50SKFE01BG – for keys with a thickness of 3,5 mm: Bravus, Wavy Line pro 50SKFE02BG – for keys with a thickness of 2,6 mm: Vela, Vitess, Zolit, S50+, S5+, Wavy Line, Y14 Deltus, Y14, V14, W14, Standard	

Plastic key caps SKKR to clip - for a simple visual identification

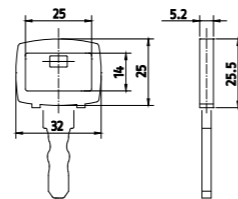


Specification:

- Material: plastic
- Available in various colours and colour combinations for all ABUS Pfaffenhain systems (except system Wavy Line pro and Bravus)
- Fitting at the factory not necessary, can be easily retrofitted
- The caps can be disassembled and replaced at any stage

Order example:

SKKR-red, V14 = Plastic key caps to clip, red, system V14



Description	Item no.
Please indicate the colour. Available colours: white, yellow, red, green, blue, black	SKKR...

TECHNICAL INFORMATION – ACCESSORIES

Cams for profile cylinders

...SB02	...SB03	...SB04
b=7.5 mm 12 teeth cog	b=7.2 mm 14 teeth cog	b=8.1 mm Quadruple cam for ABUS PR2000 ... PR2500
...SB05 b=8.7 mm Double cam (Biffar)	...SB06 b=8.7 mm Block lock 90°	...SB07 b=8.7 mm Spain
...SB08 b=8.7 mm British oval cylinder	...SB10 b=8.7 mm Cam with 6 o'clock position	...SB11 b=7.7 mm 10 teeth cog
...SB12 b=8.7 mm Belgium	...SB13 b=8.5 mm 16 teeth cog	...SB14 b=8.7 mm Quadruple cam for door bar
...STD/...SB15 b=8.7 mm (STD) b=7.6 mm (SB15) Standard ...STD for ABUS PR1400 - PR1900	...SB16 b=8.5 mm 18 teeth cog	

b = Cam width
Image installed cylinder

Other cam shapes on demand.

TECHNICAL INFORMATION – ACCESSORIES

Thumbturn finishes

Thumbturn: standard version														
	Silver matt (shape Z)			Silver matt (shape O)										
Thumbturn material: brass														
	Dark nickel	NIA		Ultra Black Matte	UMSW		Antique brass	MA		Antique copper	CUA		Antique silver	SA
	Nickel plated	NI		Polished gold	APO		Satin chrome	CR		Polished chrome	CRG		Black silver	SSW
	Black matt	MASW												
Thumbturn material: anodised aluminium														
	Aluminium	F1		Nickel silver	F2		Brass polished	F3		Bronze	F4		Antique bronze	F5
Thumbturn material: Polyamide														
	White	LP01		Green	LP06		Black	LP08		Brown	LP09		Yellow	LP14
	Dark grey	LP20		Light Grey	LP21		Dark red	LP30		Red	LP33		Dark blue	LP50
	Blue	LP52		Dark green	LP60		Brown-olive	LP62		Anthracite	LP92			
Thumbturn material: Stainless steel														
	Stainless steel polished	EPO												

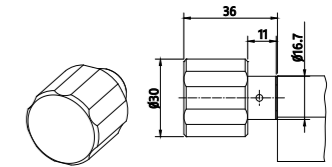
TECHNICAL INFORMATION – ACCESSORIES

Thumbturn shapes and finishes | Item no.: 50KNN Z...



Specification:
• Thumbturn shape Z

Order example:
50KNN ZF1: Thumbturn shape Z, finish F1

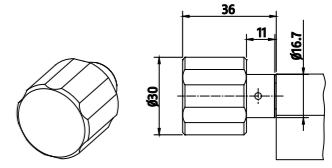


Thumbturn shapes and finishes | Item no.: 50KNN Z...



Specification:
• Thumbturn shape Z

Order example:
50KNN ZNI: Thumbturn shape Z, finish Nickel

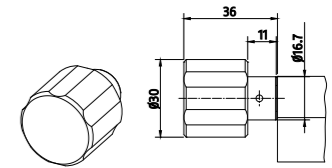


Thumbturn shapes and finishes | Item no.: 50KNN Z...



Specification:
• Thumbturn shape Z

Order example:
50KNN ZEPO: Thumbturn shape Z, Stainless steel polished

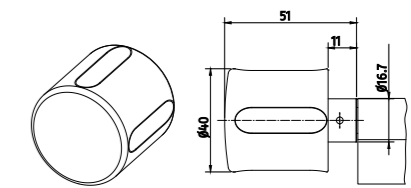


Thumbturn shapes and finishes | Item no.: 50KNN 2...



Specification:
• Thumbturn shape 2

Order example:
50KNN 2F2: Thumbturn shape 2, finish F2

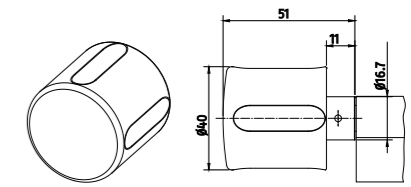


Thumbturn shapes and finishes | Item no.: 50KNN 2...



Specification:
• Thumbturn shape 2

Order example:
50KNN 2CR: Thumbturn shape 2, Chrome

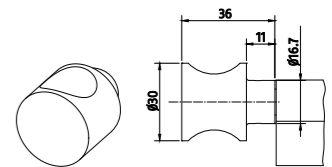


Thumbturn shapes and finishes | Item no.: 50KNN H...



Specification:
• Thumbturn shape H

Order example:
50KNN HF5: Thumbturn shape H, finish F5

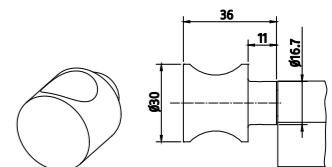


Thumbturn shapes and finishes | Item no.: 50KNN H...



Specification:
• Thumbturn shape H

Order example:
50KNN HAPO: Thumbturn shape H, polished gold

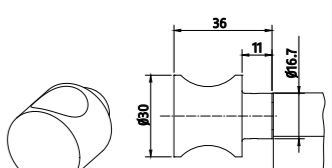


Thumbturn shapes and finishes | Item no.: 50KNN H...



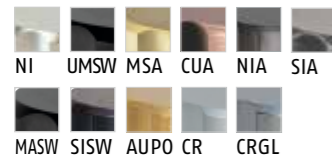
Specification:
• Thumbturn shape H

Order example:
50KNN HEPO: Thumbturn shape H, Stainless steel polished



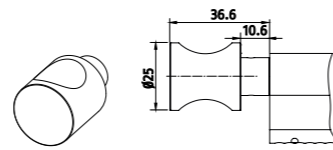
TECHNICAL INFORMATION – ACCESSORIES

Thumbturn shapes and finishes | Item no.: 50KNN K...

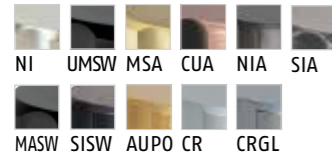


Specification:
• Thumbturn shape K

Order example:
50KNN KNI: Thumbturn shape K,
finish nickel

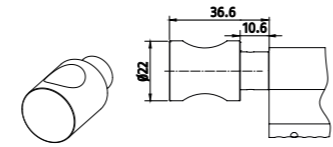


Thumbturn shapes and finishes | Item no.: 50KNN S...

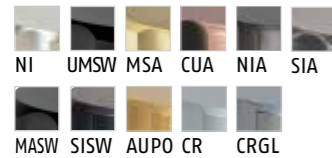


Specification:
• Thumbturn shape S

Order example:
50KNN SCR: Thumbturn shape S,
finish chrome

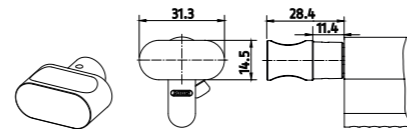


Thumbturn shapes and finishes | Item no.: 50KNN O...



Specification:
• Thumbturn shape O

Order example:
50KNN ONI: Thumbturn shape O,
finish nickel

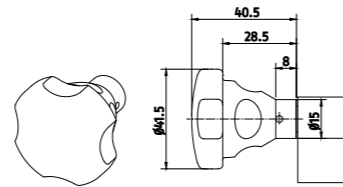


Thumbturn shapes and finishes | Item no.: 50KNN PA...



Specification:
• Thumbturn shape P

Order example:
50KNN PAF1: Thumbturn shape P, finish F1

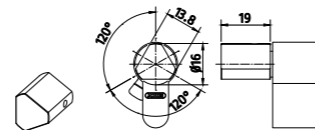


Thumbturn shapes and finishes | Item no.: 50KFW01...

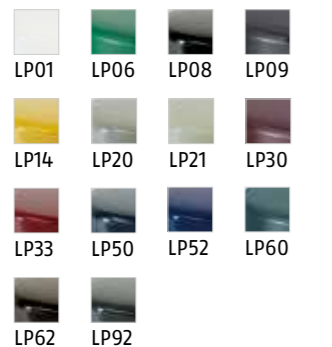


Specification:
• Thumbturn shape "fire brigade"
• 50KFW01...

Order example:
50KFW01NI: Thumbturn shape
"Fire brigade", finish nickel



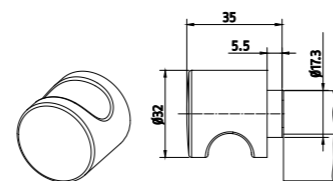
Thumbturn shapes and finishes | Item no.: 50KNN LP...



Specification:
• Thumbturn shape L

• Finishes:
LP01 white LP30 dark red
LP06 green LP33 red
LP08 black LP50 dark blue
LP09 brown LP52 blue
LP14 yellow LP60 dark green
LP20 dark drey LP62 brown-olive
LP21 light grey LP92 anthracite

Order example:
50KNN LP01: Thumbturn shape L,
colour white



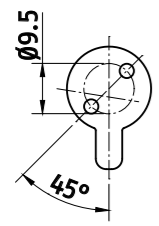
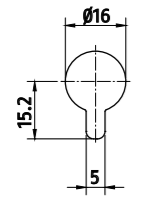
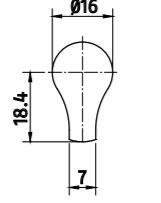
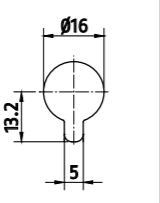
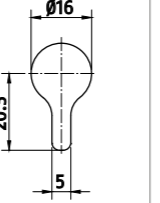
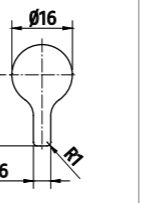
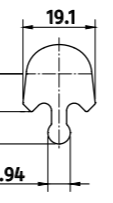
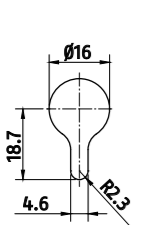
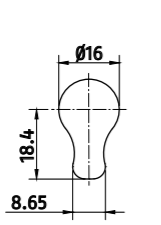
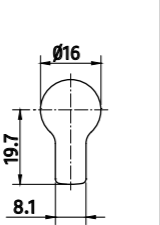
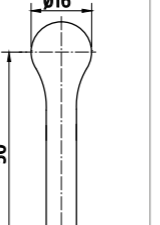
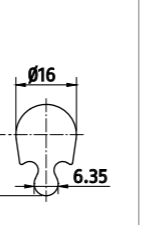
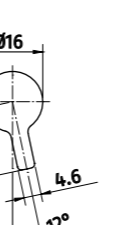
TECHNICAL INFORMATION – ACCESSORIES

Cam shapes for cam cylinders | Item no.: 50HEB...

Item no.: 50HEB00 L22A	Item no.: 50HEB00 L22B	Item no.: 50HEB00 L21D	Item no.: 50HEB00 L24H
Item no.: 50HEB00 L36F	Item no.: 50HEB00 L37J	Item no.: 50HEB00 L37L	Item no.: 50HEB00 L37M
Item no.: 50HEB00 L43G	Item no.: 50HEB00...	Item no.: 50HEB00...	Item no.: 50HEB28
	<ul style="list-style-type: none"> ..L25C → A=25 mm ..L30C → A=30 mm ..L35C → A=35 mm ..L38C → A=38 mm ..L40C → A=40 mm ..L45C → A=45 mm ..L58C → A=58 mm ..L65C → A=65 mm ..L80C → A=80 mm 	<ul style="list-style-type: none"> ..L30E → A=30 mm ..L35E → A=35 mm ..L38E → A=38 mm ..L40E → A=40 mm ..L45E → A=45 mm 	
Item no.: 50HEB01	Item no.: 50HEB00...	Item no.: 50HEB29	Item no.: 50HEB26
	<ul style="list-style-type: none"> ..L36K → A=36 mm ..L31K → A=31 mm 		<p>for key garage</p>

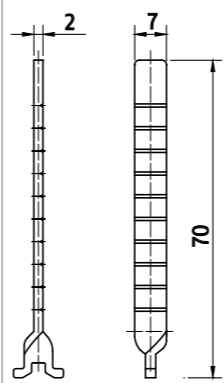
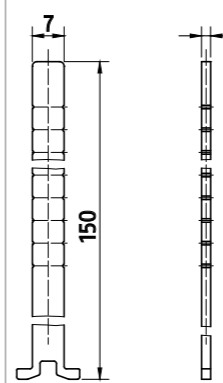
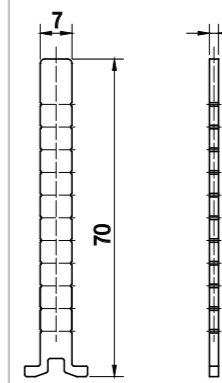
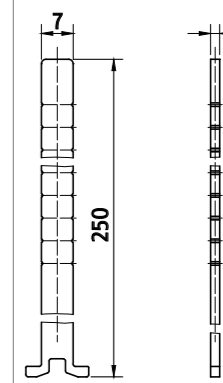
TECHNICAL INFORMATION – ACCESSORIES

Cams for mortice cylinders | Item no.: 50SZUB...

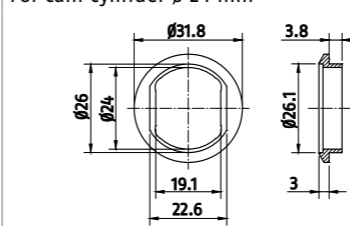
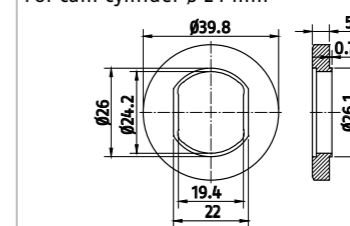
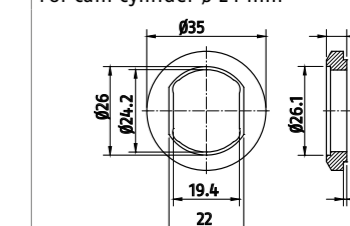
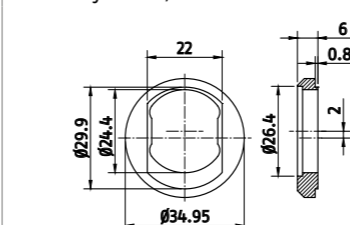
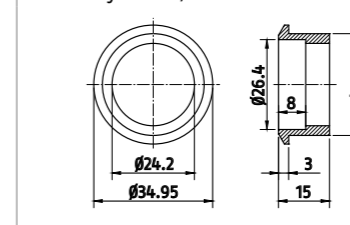
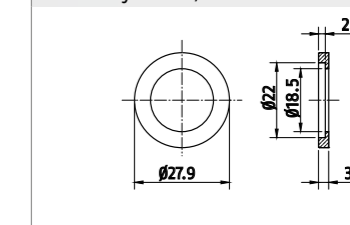
Mounting					
 <p>Other cam shapes on demand.</p>					
Item no.: 50SZUBSZ01	Item no.: 50SZUBSZ02	Item no.: 50SZUBSZ03	Item no.: 50SZUBSZ04	Item no.: 50SZUBSZ05	Item no.: 50SZUBSZ06
					
Item no.: 50SZUBSZ07	Item no.: 50SZUBSZ08	Item no.: 50SZUBSZ09	Item no.: 50SZUBSZ10	Item no.: 50SZUBSZ11	Item no.: 50SZUBSZ12
					

TECHNICAL INFORMATION – ACCESSORIES

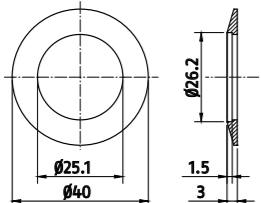
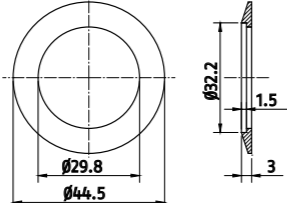
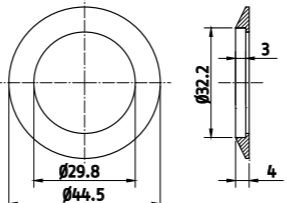
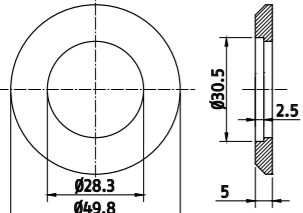
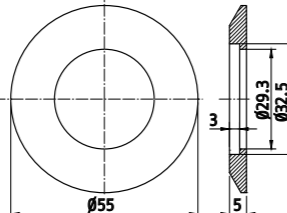
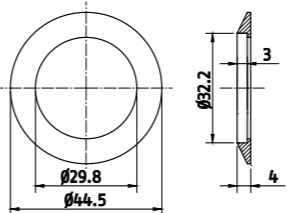
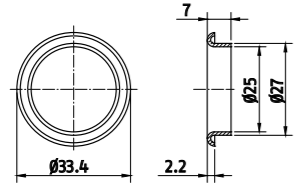
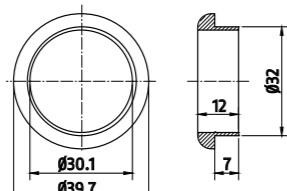
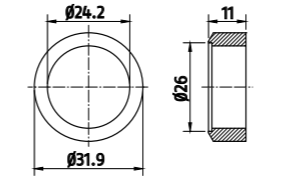
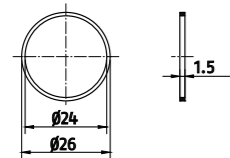
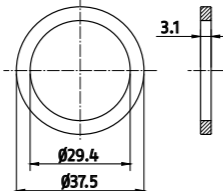
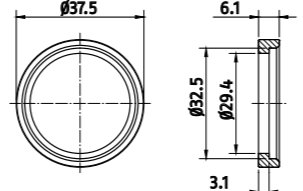
Tail pieces for rim cylinders | Item no.: 50KUS...

Item no.: 50KUS07	Item no.: 50KUS11	Item no.: 50KUS18	Item no.: 50KUS20
twisted	overlength XL	high strength	overlength XXL
			

Rosettes for cam-, furniture-, pressure- and rim cylinders | Item no.: 50ROS...

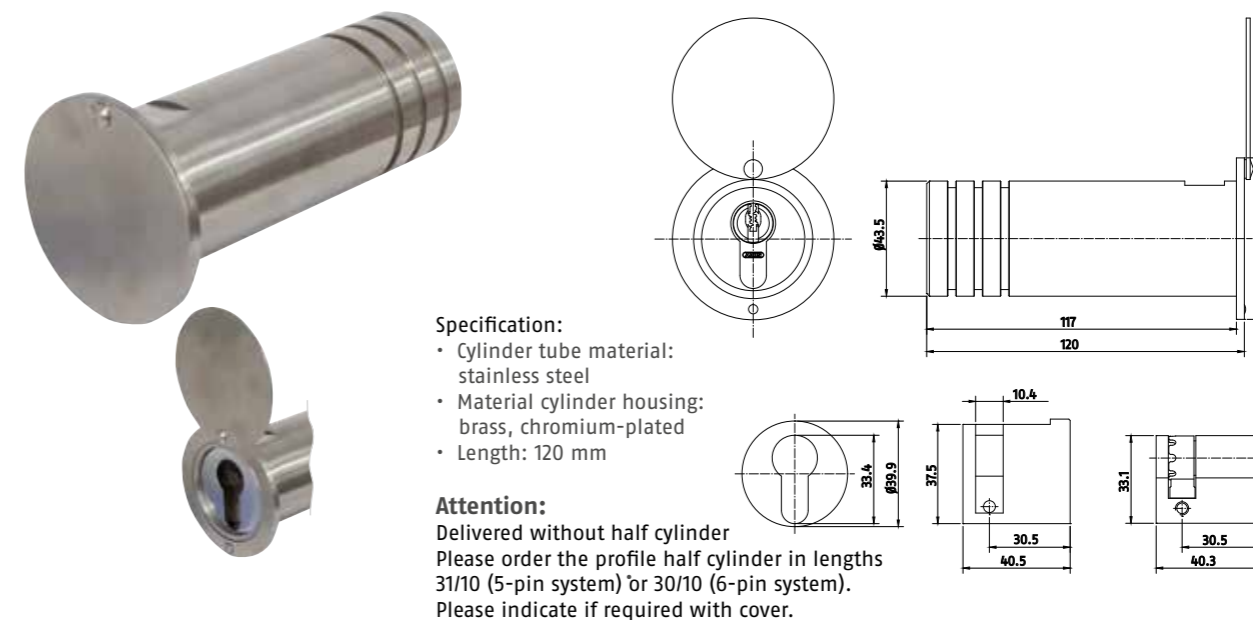
Item no.: 50ROS05	Item no.: 50ROS06	Item no.: 50ROS08
For cam cylinder \varnothing 24 mm	For cam cylinder \varnothing 24 mm	For cam cylinder \varnothing 24 mm
		
Item no.: 50ROS09	Item no.: 50ROS014	Item no.: 50ROS019
For rim cylinder \varnothing 25 mm	For rim cylinder \varnothing 29.6 mm	For rim cylinder \varnothing 29.6 mm
		

TECHNICAL INFORMATION – ACCESSORIES

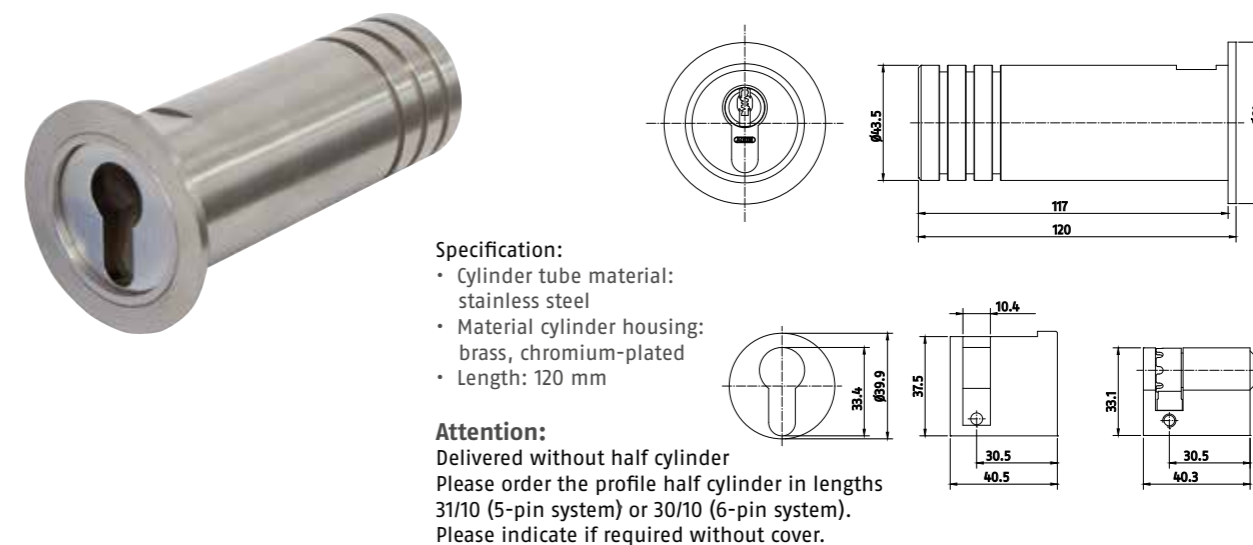
Item no.: 50ROS03 For rim cylinder "A" 	Item no.: 50ROS04 For rim cylinder "LW01" 	Item no.: 50ROS07 For rim cylinder "Ruko 1607" 
Item no.: 50ROS15 For furniture cylinder 	Item no.: 50ROS18 For pressure cylinder 	Item no.: 50ROS07 Spacer for cam cylinder Ø 24 mm 
Item no.: 50ROS01 For furniture cylinder 	Item no.: 50ROS02 For pressure cylinder 	Item no.: 50ROS10 Spacer for cam cylinder Ø 24 mm 
Item no.: 50ROS17 Spacer for cam cylinder Ø 24 mm 	Item no.: 50ROS16 Spacer for mortice cylinder 	Item no.: 50ROS21 For mortice cylinders as replacement rosette for different mounting depths 

TECHNICAL INFORMATION – ACCESSORIES

Key strongbox for half cylinder | Item no.: 453-01 with cover



Key strongbox for half cylinder | Item no.: 453-01 without cover



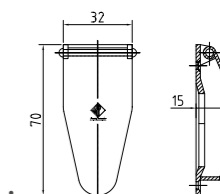
Weather protection rosettes | Item no.: 50RSR01



Specification:

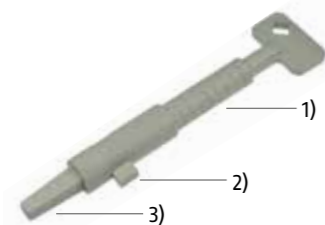
- Material: Galvanised steel - Item no.: 50RSR01

Order example:
 50RSR01: Galvanised steel weather protection rosettes



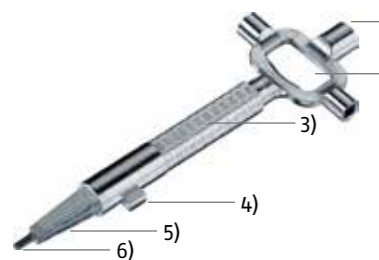
TECHNICAL INFORMATION – ACCESSORIES

Cylinder length measuring and installation tool | Item no.: HW-BSMMS01



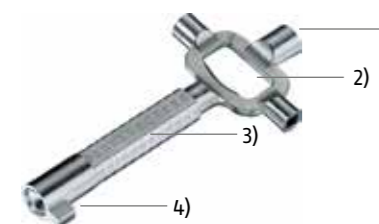
- Specification:**
- Material: plastic
 - 1) scale to measure the required cylinder length
 - 2) Euro-profile mortice lock opening tool
 - 3) Multi-sized (6 - 8 mm) tool for retracting sash lock latches

Cylinder length measuring and installation tool | Item no.: HW-BSMMS02



- Specification:**
- Material: metal
 - 1) Square pin lock key 6/7/8 mm
 - 2) Bottle opener
 - 3) Two-sided scale 22/75 and 25/75 to measure the required cylinder lengths
 - 4) Euro-profile mortice lock opening tool
 - 5) Multi-sized (6 - 8 mm) tool for retracting sash lock latches
 - 6) Hexagonal key 3 mm

Cylinder length measuring and installation tool | Item no.: HW-BSMMS03



- Specification:**
- Material: metal
 - 1) Square pin lock key 6/7/8 mm
 - 2) Bottle opener
 - 3) Two-sided scale 22/75 and 25/75 to measure the required cylinder lengths
 - 4) Euro-profile mortice lock opening tool

Cylinder length measuring tool | Item no.: HW-ZML01



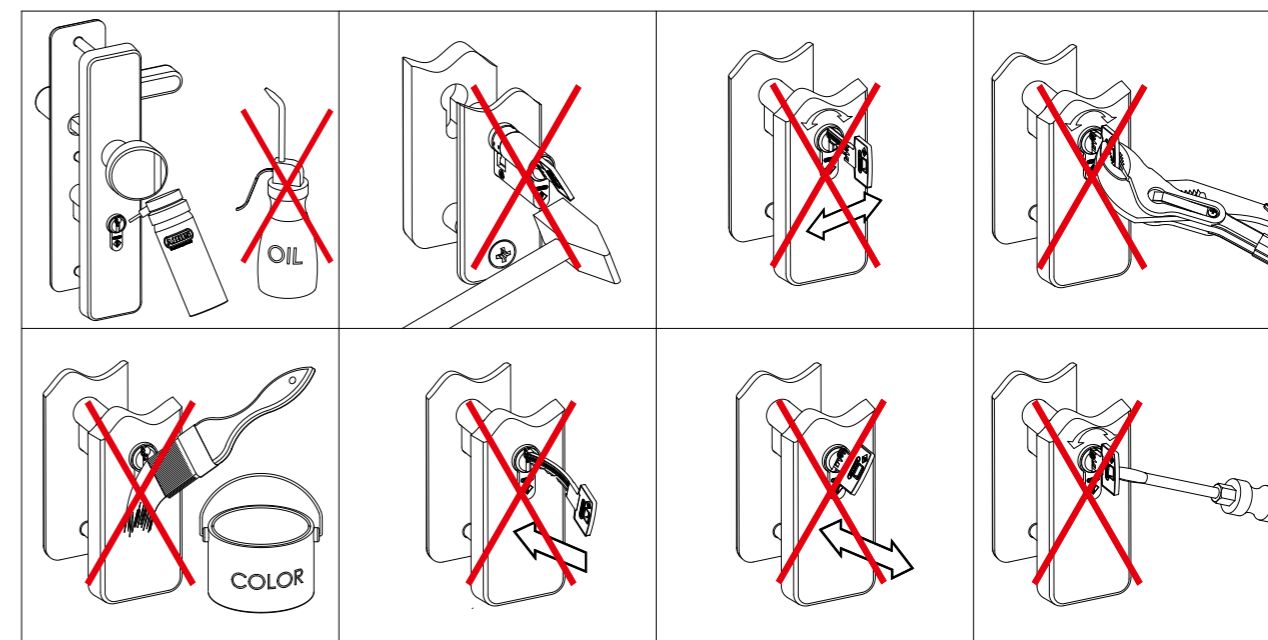
- Specification:**
- Material: Plastic

Lubricant spray non-greasing | Item no.: PS88

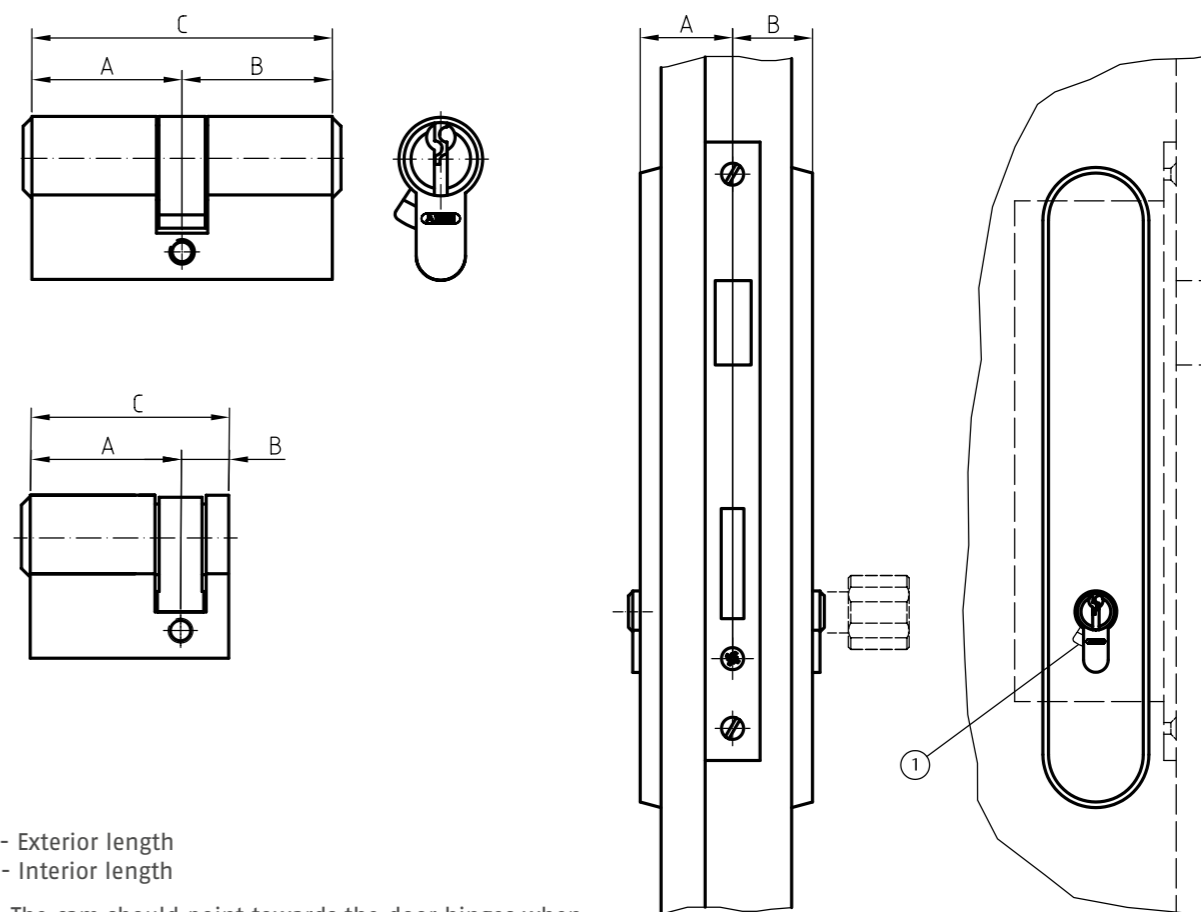


- Specification:**
- Content size: 50 ml

MAINTENANCE INSTRUCTIONS



For the assembly of profile cylinders we recommend our assembly tool MHA09.
The fixing screw for the fixation of the cylinder can only be tightened with max. 1,2 Nm (= hand-tight).



A - Exterior length
B - Interior length

- ① The cam should point towards the door hinges when the key is removed.

TERMS AND CONDITIONS OF SALE

1. DEFINITIONS

- 1.1. In these Conditions, "the Seller" means ABUS (UK) Limited whose registered office is at Unit 8 Third Way, Avonmouth, Bristol, England, BS11 9HL; "Order Acknowledgement" means the Seller's order acknowledgement to which a copy of these Conditions is annexed; "the Buyer" means the person, firm or company from whom an order is accepted by the Seller; and "Goods" means any goods or replacements therefore and any services supplied by the Seller to the Buyer under the Agreement for Sale. "Minimum Carriage Paid Order Value" means the minimum carriage paid order value as set out in the Seller's price list in force from time to time; "Minimum Invoice Charge" means the minimum invoice charge for the Goods as set out in the Seller's price list in force from time to time.

2. FORMATION AND PARTIES

- 2.1. The Buyer's order to the Seller is an offer to enter into a contract on these Conditions. Acceptance occurs and the contract is formed only upon the Seller despatching to the Buyer its Order Acknowledgement. Any terms or conditions proffered at any time by the Buyer are hereby excluded. These Conditions except as varied by express agreement in writing signed by a director or authorised person on behalf of the Seller shall be deemed to be incorporated in all contracts from time to time entered into between the Seller and the Buyer which provide for the sale of any goods (including without limitation the Goods) by the Seller to the Buyer. The agreements, warranties, conditions, representations and other items set out in the Order Acknowledgement and in these Conditions are together referred to in these Conditions as "the Agreement for Sale" and represent the complete agreement between the Seller and Buyer with regard to the Goods and contain all agreements, warranties, conditions, representations and other terms agreed; made or relied upon by either party in connection with the Goods. A quotation by the Seller shall not constitute an offer.

3. PRICE

- 3.1. The price for the Goods shall be as set out in the Seller's price list in force from time to time except as otherwise provided for herein. The Seller reserves the right by written notice given to the Buyer before delivery of the Goods to vary the price of Goods if, after the date of the Order Acknowledgement there is any increase in the Seller's price list in respect of the same or similar description of Goods or by any amount attributable to a change in or insufficiency of the Buyer's instructions.
- 3.2. The Buyer shall not be entitled to make any deduction from the price of the Goods in respect of any alleged rights to set off or counter-claims unless both the validity and the amounts thereof have been expressly acknowledged and admitted by a director or authorised person on behalf of the Seller in writing.
- 3.3. The price for the Goods will be inclusive of the costs of packaging and delivery charges within the United Kingdom, subject to the Minimum Carriage paid Order Value at the relevant time.
- 3.4. Subject to 3.3 above, unless otherwise stated, the price for the Goods is exclusive of the costs of packaging, freight, insurance, delivery charges and all applicable taxes, duties, tariffs and charges of any nature whatsoever imposed in any country or territory, either directly or indirectly, in respect of the sale or supply of the Goods, or payments for them. In particular, the price for the Goods is exclusive of Value Added Tax.
- 3.5. Where the value of the order is less than the Minimum Invoice Charge at the relevant time, the Minimum Invoice Charge will be imposed on all orders.

4. PAYMENT TERMS

- 4.1. Subject to satisfactory trade, bankers and other references which may be required by the Seller, and where no other terms of payment have specifically been agreed in the Order Acknowledgement or in this Condition, payment for the Goods shall be due in pounds sterling by the end of the calendar month following the month of issue of the Seller's invoice, which may be issued at any time after the Goods are ready for despatch or collection from the Seller's works.
- 4.2. Time for payment of the price shall be of the essence of the Agreement for Sale and in the event of any payment becoming overdue, the Seller shall be entitled to charge

interest at the rate of two per cent per month above the then current base rate of Royal Bank of Scotland plc which shall be calculated and accrue on a day to day basis from the date on which payment fell due until payment (whether made before or after judgement has been obtained by the Seller against the Buyer). The Seller reserves the right to suspend further deliveries and/or to cancel any allowance of further credit in the event of any payments not being made when due, or if the Seller in its sole discretion at any time considers the financial condition of the Buyer has ceased to justify any such terms being permitted.

- 4.3. The Seller may at any time in its absolute discretion appropriate any payment made by the Buyer in respect of Goods to such outstanding debt as the Seller thinks fit, notwithstanding any purported appropriation to the contrary by the Buyer or the Seller. The Seller shall be entitled at any time and notwithstanding its acceptance of any order to cancel the Agreement for Sale or to postpone any delivery until payment has been received in the event that the Seller has reasonable doubts about the Buyer's ability or willingness to pay on the due date. The Seller reserves the right at any time at its discretion and notwithstanding its acceptance of any order to demand security for payment before continuing with an order or delivering Goods or any instalment.

5. DELIVERY AND RISK

- 5.1. Unless otherwise expressly provided for in the Order Acknowledgement, delivery shall take place and risk shall pass on the earliest of the following:
- 5.1.1. the Seller handing the Goods to the Buyer or its agent at the Seller's premises; or
- 5.1.2. the Goods leaving the Seller's premises; or
- 5.1.3. on the eighth day following notification that the Goods are ready for despatch provided that the Seller has not exercised its right to repudiation of the Agreement for Sale pursuant to the provision of the following paragraph. If the Buyer has failed to collect the Goods on the seventh day following notification of readiness for despatch, the Seller shall be entitled to treat the Agreement for Sale as repudiated by the Buyer. Until the Agreement for Sale is so repudiated the Seller may, at its option either store the Goods itself or have them stored by third parties on such terms as it in its absolute discretion thinks fit. The cost of storage and any additional transportation will be added to and shall form part of the price. If the Seller elects to treat the Agreement for Sale as repudiated in accordance with this Condition it shall (without prejudice to its rights and remedies in respect of such repudiation) be entitled to sell the Goods and retain the proceeds of the sale.
- 5.2. Any claim for shortage, damage or for transport surcharges should be directed by the Buyer to the carrier within three days of such delivery and notification of any such claim should be made to the Seller. Any period or date for delivery stated in the Agreement for Sale or elsewhere is the Seller's best estimate and is not to be deemed to be a contractual commitment. The Buyer shall not be entitled to refuse to accept late delivery or to treat late delivery as a breach of the Agreement for Sale.
- 5.3. Unless otherwise agreed in writing, Goods included in each delivery (or part delivery) shall be deemed to be sold under a separate contract. Neither failure on the Seller's part to make any delivery (or part delivery) in accordance with the Agreement for Sale, nor any claim by the Buyer in respect of such delivery (or part delivery) shall entitle the Buyer to reject the balance of the Goods agreed to be purchased by the Buyer. The Seller may at its option deliver by instalments and each instalment shall constitute a separate contract on these Conditions.
- 5.4. The Seller shall not be liable for loss or damage to Goods in transit unless:
- 5.4.1. the Seller has agreed to effect delivery to a place other than the Seller's premises; and
- 5.4.2. the loss or damage occurs prior to arrival at the delivery point; and either
- 5.4.3. damage or shortage is reported by the Buyer within 7 days of arrival at the delivery point; or
- 5.4.4. in the case of total loss, non-arrival is notified to

TERMS AND CONDITIONS OF SALE

- the Seller within 14 days after despatch of advice note.
- 5.5. The Buyer shall inspect the Goods immediately upon receipt and shall (unless such inspection cannot be carried out and the delivery note is marked "not examined") subject to paragraph 5.6 below be deemed to have accepted the Goods as delivered.
- 5.6. The Seller shall not be liable for defects or shortages discoverable on reasonable inspection unless the Buyer notifies the Seller before the expiry of 7 days after receipt of any alleged defect or lack of conformity with the Agreement for Sale.
- 5.7. The Seller shall make good shortages notified to it under paragraph 5.5 above as soon as reasonably practicable but shall not be liable for any other loss whatsoever arising from such shortage.
- 5.8. The Seller's liability for Goods lost or damaged in transit shall in all circumstances be limited to (at the Seller's option) the repair or replacement or credit to the Buyer of the invoice value of the Goods in question.

6. RETENTION OF TITLE

- 6.1. Until the Seller has received payment in full of all sums owed to it on any account by the Buyer, whether arising out of this or any other contract, legal and beneficial title to the Goods shall remain in the Seller; such goods are referred to in this condition as "retained goods".
- 6.2. Retained goods:
- 6.2.1. shall be at the Buyer's risk, insured by the Buyer from the date of delivery at its own expense for their full replacement value against all usual risks; and kept safe in good condition and stored separately and clearly identifiable as the Seller's property and with all identifying marks intact and legible; and
- 6.2.2. may, subject to Condition 6.3 below be used or sold by the Buyer in the ordinary course of its business on the basis that the proceeds of sale shall be held in trust by the Buyer for the Seller absolutely.
- 6.3. The Buyer's powers of use and sale of retained goods shall terminate:
- 6.3.1. forthwith on notice from the Seller if the Buyer is in default of any of its obligations under this or any other contract with the Seller or if the Seller has reasonable doubts as to the ability or willingness of the Buyer to pay any sum to it on the due date;
- 6.3.2. automatically upon the occurrence of any of the following:
- 6.3.2.1. if the Buyer causes a meeting of or makes any arrangement or composition with its creditors; or
- 6.3.2.2. if the Buyer, being an individual, becomes insolvent or appears to be unable to pay a debt or to have no reasonable prospect of paying a debt (within the meaning of Section 268 of the Insolvency Act 1986); or, being a company, appears unable to pay its debts (within the meaning of Section 123 of Insolvency Act 1986);
- 6.3.2.3. if there is presented a petition for the winding up of the Buyer or for the appointment of an Administrator of its undertaking (whether it be a company or a partnership) or if the Buyer is an individual on the presentation of a bankruptcy petition or an application for an interim order under Part VIII of the Insolvency Act 1986; or
- 6.3.2.4. if the Buyer has a Receiver, an Administrator or Administrative Receiver appointed over any of its assets or undertaking or a winding up order made against it or it goes into voluntary liquidation (otherwise than for the purposes of bona fide reconstruction or amalgamation of a solvent company).
- 6.4. The Seller may, at any time on giving prior notice, enter the Buyer's premises for the purpose of inspecting retained goods and identifying them as the Seller's property and the Buyer irrevocably authorises the Seller to enter upon its premises for that purpose.

- 6.5. Upon suspension and revocation or determination of the Buyer's power of sale and use under this Condition the Buyer shall place all the retained goods in its possession or under its control at the Seller's disposal and shall be deemed irrevocably to authorise the Seller to enter upon any of the Buyer's premises, with or without vehicles, for the purpose of removing such goods.
- 6.6. The repossession of retained goods by the Seller in accordance with this Condition shall be without prejudice to all or any of the Seller's other rights against the Buyer under the Agreement for Sale.

7. LIABILITY

- 7.1. Nothing in these Conditions shall be interpreted as excluding or restricting any legal liability of the Seller under Part 1 of the Consumer Protection Act 1987 or for death or personal injury resulting from the negligence (as defined in Section 1 of the Unfair Contract Terms Act 1987) of the Seller, its employees, agents or sub-contractors or as excluding or restricting any of the Seller's legal obligations arising under Section 12 of the Sale of Goods Act 1979 (as amended).
- 7.2. Subject to the provisions of sub-clause 7.1 above, the Seller's liability to the Buyer in respect of the Goods shall not in any manner whatsoever (whether under law of contract, tort or otherwise) exceed either double the price actually paid by the Buyer for that part of the Goods in question or £10 (whichever figure is greater).
- 7.3. The Seller shall, in no circumstances, be liable for loss of profit, income, goodwill, or any other economic loss, or any loss arising from any claim against the Buyer by any third party, or any consequential or indirect loss, damage or expense of any kind howsoever caused or arising.
- 7.4. Save as provided in these Conditions, the Seller shall not be under any liability to the Buyer (whether in contract tort or otherwise) for any defects in the Goods, materials supplied or workmanship performed by the Seller or for any damage, loss, death or injury resulting from such defects and the Buyer shall indemnify the Seller against any claims in respect thereof.

8. WARRANTY

- 8.1. The Seller warrants the Goods against defects in design, materials and workmanship which become apparent within the warranty period applicable to the Goods (hereinafter called "the Warranty Period") which shall be a period of twelve months (or such period as may be stipulated in the Order Acknowledgement) stipulated from the date of issue of the Seller's invoice.
- 8.2. The Seller's liability for defective Goods under this warranty is limited to repairing or, at its option, replacing on an exchange basis, such Goods (or parts thereof) or crediting the Buyer's account to the invoice value and the Buyer shall accept such of the aforementioned remedies as the Seller shall offer as being fulfilment of the Seller's obligation under the Agreement for Sale.
- 8.3. In the event of the Buyer becoming aware of a defect in the Goods during the Warranty Period, the Buyer shall within 14 days of discovering such defect supply the Seller with written particulars of such defect and at the Seller's sole option either return the Goods to the Seller at the Buyer's expense and risk or permit the Seller to inspect the same at the Buyer's premises and use its best endeavours to provide to the Seller all necessary access and other reasonable facilities and all information, particulars and assistance required to enable the Seller to ascertain or verify the nature and cause of the defect claimed and to carry out its warranty obligations.
- 8.4. The above warranty shall not apply to any defect discoverable on inspection at time of receipt or caused in whole (or in part) by any alteration or addition to the Goods (other than by the Seller) or by use or storage of the Goods in a manner contrary to any written instructions of the Seller, or for purposes for which the Goods were not designed, or by faulty installation, maintenance or repair by the Buyer or any third party.
- 8.5. The Seller shall be under no liability whatsoever to repair, replace or make good any loss, damage or defect which results from wear and tear, accident, neglect, misuse or events referred to in Condition 11 occurring after the physical delivery of the Goods to the Buyer (or its agent).
- 8.6. When any defective Goods are replaced, the provisions of this Condition shall apply to the replacement Goods for the

TERMS AND CONDITIONS OF SALE

unexpired balance of the Warranty Period, or one-half of the applicable Warranty Period referred to in sub-clause 8.1 above, calculated from the date of replacement whichever is the longer.

- 8.7. The Buyer shall accept the Seller's liability under Conditions 5 and 8 above in lieu of all and every condition, warranty or representation whatsoever whether express or implied by statute, common law, trade usage, custom or otherwise as to the quality or fitness for any particular purpose of the Goods. The Buyer acknowledges that all specifications and details in catalogues, quotations and the Order Acknowledgement or any similar documents or by word of mouth and all forecasts of performances, however given, are approximate only and do not form part of the Agreement for Sale and that in respect of such specifications details and forecasts the Seller shall be under no liability nor shall the Buyer be entitled to any remedy under the provisions of the Misrepresentation Act 1967.

9. INSURANCE

- 9.1. The Buyer agrees that it is best able to estimate the extent and nature of the insurance cover suitable for its business and property from time to time and can effect at more economic rates than the Seller such appropriate insurance cover (including cover against losses, damage, costs, claims and expenses referred to in Conditions 7, 8 or 10) and the Buyer therefore acknowledges that it is reasonable for the Seller to sell the Goods and fix their purchase price on the basis of the exclusions and limitations of liability and the indemnity set out in these Conditions. The Buyer agrees that it will be responsible for effecting insurance cover as above mentioned as may be appropriate to its business and property including (but not limited to) any required insurance cover in respect of any loss or damage, of whatsoever kind or howsoever caused, whether by reason of the negligence of the Seller or otherwise to premises, plant or other physical property and the Seller shall have no liability in respect of any such loss or damage.

10. INDEMNITY – THIRD PARTY CLAIMS

- 10.1. The Buyer shall indemnify and keep indemnified the Seller against all actions, claims, costs, damages, demands and expenses or other loss arising out of a defect in the Goods (including without limitation all liabilities incurred under the Consumer Protection Act 1987) to the extent occasioned or contributed to by any act or omission of the Buyer its servants, agents, sub-contractors or persons under its control.

11. FORCE MAJEURE AND EVENTS BEYOND THE CONTROL OF THE SELLER

- 11.1. The Seller shall have no liability under the agreement for Sale in respect of any failure or delay in fulfilling any of the Seller's obligations to the extent that fulfilment thereof is prevented, frustrated, impeded and/or delayed as a consequence of any force majeure and or any occurrence whatsoever beyond the control of the Seller including without prejudice to the generality of the foregoing:
- 11.1.1. compliance with any order, regulation request or control of any national or local authority, governmental department or other competent authority of any country whether or not legally enforceable; or
 - 11.1.2. any delays in, or cancellations of deliveries, or provision of services by third parties or shortages of Goods, materials or parts; or
 - 11.1.3. any strikes, lock-outs, or trade disputes whether involving the Seller's employees or others, fire, explosion, accident, calamity or civil disturbance, action of elements, national calamity, or Act of God; or
 - 11.1.4. failure in whole (or in part) of any power or energy supply.
- 11.2. The Seller undertakes however to make every reasonable endeavour within its power to overcome difficulties arising in connection therewith, but in the event of shortages of the Goods, or of available resources for their production, storage or delivery arising from any of the events or circumstances referred to in paragraph 11.1 of this Condition, the Seller reserves the right to allocate as it may think fit its available goods and resources between customers with whom it has contractual obligations in

respect thereof and shall not be obliged to purchase any goods from third parties to make good such shortages.

- 11.3. Should such contingency continue for more than three (3) months either party may (subject to the Seller repaying to the Buyer advance payments for undelivered goods and, where the force majeure situation has been notified by the Buyer to the Seller, subject to the prior payment by the Buyer to the Seller in respect of all or any part of the order already performed by the Seller up to and including the date of notification) cancel the contract without further liability to the other.

12. LETTERS PATENT

The Buyer shall promptly inform the Seller of any threatened claim as to the alleged infringement of letters patent, or other third party rights by or in connection with the Goods and shall, if so required by the Seller at the Seller's expense, take all reasonable steps to enable the Seller to defend any such claim

13. CONFIDENTIAL INFORMATION AND PROPERTY INFORMATION

- 13.1. The Buyer shall treat all drawings, procedures, instructions, documents and other information of any kind whatsoever supplied by the Seller to the Buyer as strictly confidential (except to the extent that any such information is available in the public domain) and shall not without the prior written consent of the Seller, disclose or part with possession of any such documents or information or extracts therefrom or copies thereof or use any such documents or information otherwise than in connection with the Goods to which they relate.
- 13.2. The operating materials manufactured by us for the production of the contractual objects on behalf of the customer, in particular tools, devices, documents, etc. remain our property even if the contractual relationship comes to an end and will only be delivered to the customer after the contract has been terminated if they were invoiced separately.
- 13.3. The customer is solely liable if, by the execution of his order, rights, in particular industrial property rights of a third party, are violated.

14. GOODS MANUFACTURED TO BUYERS SPECIFICATION

- 14.1. The Seller accepts no responsibility for the accuracy of information, specifications, instructions and/or drawings supplied by the Buyer.
- 14.2. The Buyer shall indemnify the Seller from and against all actions, costs (including without limitation legal costs), proceedings and loss directly or indirectly arising out of any error in or omission from any such information, specifications, drawings and/or instructions, or where it is alleged that they involve an infringement of a patent, copyright, registered design or other exclusive right or the provisions of any statute, statutory instrument or regulation.

15. HEALTH AND SAFETY

The Buyer agrees to pay due regard to any information or advice relating to the use of the Goods which the Seller may at any time furnish to it and agrees that before the Goods are used it will, if requested by the Seller, furnish the Seller with a written undertaking to take any steps which the Seller may specify with a view to ensuring that the Goods will be safe and without risk to health when used.

16. CANCELLATION AND AMENDMENT

No cancellation or amendment to the Agreement for Sale shall be binding on the Seller unless agreed in writing by a director or other authorised person on behalf of the Seller and on the strict condition that all and any costs and expenses incurred by the Seller up to the time of the cancellation or arising out of the amendment and all loss of profits and other loss and damage resulting to the Seller by reason of such cancellation or amendment will be reimbursed by the Buyer to the Seller forthwith.

17. ASSIGNMENT

The Buyer shall not assign, or otherwise transfer all or any of its rights, interests or obligations under the Agreement for Sale without the prior written consent of the Seller.

18. WAIVER

No waiver of any of the Seller's rights under the Agreement for Sale shall be effective unless in writing signed by a Director or other authorised person on behalf of the Seller. A waiver shall

TERMS AND CONDITIONS OF SALE

apply only to the specific circumstances in which it is given and shall be without prejudice to the enforcement of the Seller's right in relation to different circumstances or the re-occurrence of similar circumstances.

19. DESIGN ALTERATIONS

The Seller shall be entitled at any time to alter or change the design or finish of its products as published in the Seller's catalogues subject to reasonable prior notice of any such alteration or change being given to the Buyer.

20. ENGLISH LAW AND JURISDICTION

The formation, construction and performance of the Agreement for Sale shall be governed in all respects by English Law and the Buyer agrees to submit to the non-exclusive jurisdiction of the English Courts.

21. HEADINGS

- 21.1. The headings of these Conditions do not form part of the Conditions and shall not affect the interpretation thereof.
- 21.2. Each of the Conditions and each paragraph hereof shall be construed as a separate condition. Should any provision hereof be found to be invalid or unenforceable or an unreasonable restriction of the Seller's liability then such provision shall apply with such modification as may be necessary to make it valid and effective.

22. NOTICES

Notice under these Conditions shall be properly given if in writing and sent by first class post, telex or facsimile to the address of the intended recipient as stated in the Contract or to such address as the Purchaser and Seller from time to time notified to each other as their respective addresses for service and shall be deemed served in the case of postal notice on the expiry of 48 hours from time of posting, in the case of telex on the recording of the "answer back" code on the senders machine and in the case of facsimile, on completion of transmission by the sender.

ABUS | UK
abus.com

Unit 8 Third Way
Avonmouth
BS11 9HL
Tel.: +44 117 204 7000
sales@abus-uk.com

ABUS UK standard Terms & Conditions apply. Pricing correct at time of publishing. ABUS reserves the right to increase or adjust our pricing at any time without further notice.

Due to a policy of continual development, ABUS reserves the right to modify technical details and colours.

ABUS © 2023